



FM Approvals Limited  
 1 Windsor Dials  
 Windsor, Berkshire, SL4 1RS,  
 United Kingdom  
 Tel.: +44 1753 750000  
 E-mail: cpr@fmaprovals.com  
 Internet: www.fmaprovals.com



<b>European Technical Assessment</b>	<b>ETA 09/0337 of 22/06/2018</b>
--------------------------------------	--------------------------------------

General Part

<b>Technical Assessment Body issuing the ETA:</b>	FM Approvals Limited
<b>Trade name of the construction product</b>	OMG Flat Roof Fasteners
<b>Product family to which the construction product belongs</b>	Fasteners for mechanically fastened flexible roof waterproofing systems
<b>Manufacturer</b>	OMG 153 Bowles Road Agawam Massachusetts MA 01001-0508 USA
<b>Manufacturing plant(s)</b>	As above and locations 'B' 'C', 'D' and 'E'.
<b>This European Technical Assessment contains</b>	6 pages and 90 Annexes which form an integral part of this assessment.
<b>This European Technical Assessment is issued in accordance with regulation (EU) No 305/2011, on the basis of</b>	Guideline for European Technical Approval, ETAG 006 (edition March 2000, amended November 2012), "Systems of mechanically fastened flexible roof waterproofing membranes", used as a European Assessment Document (EAD).
<b>This version replaces</b>	ETA-09/0337 issued on 25 June 2013

Translations of this European Technical Assessment (ETA) in other languages shall fully correspond to the original issued document and should be identified as such.

Communication of this ETA, including transmission by electronic means, shall be in full. However, partial reproduction may be made, with the written consent of the issuing Technical Assessment Body. Any partial reproduction has to be identified as such.

This ETA may be withdrawn by the issuing TAB, in particular pursuant to information received from the European Commission in accordance with Article 25(3) of Regulation (EU) No. 305/2011.

## Specific parts

### 1. Technical description of the product

The construction products are mechanical fasteners. The fasteners comprise a screw or nail made of coated carbon steel and a linear fastener or washer. Washers are made of coated carbon steel and/or polymeric material whereas the linear fastener is made from polymeric material.

The fasteners are introduced to the market separately from the other components of roof waterproofing membrane systems, and this ETA covers only the performance characteristics of the fasteners in isolation. In order to use the fasteners within systems of mechanically fastened flexible roof waterproofing membranes, a separate ETA according to ETAG 006 when used as an EAD, for the full roof waterproofing system is necessary.

The fastener combinations are shown in the Annexes to this European Technical Assessment (ETA).

### 2. Specification of the intended use(s) in accordance with the applicable European Assessment Document (hereinafter EAD)

The fasteners are intended to be used for the fastening of flexible roof waterproofing membranes or insulation board according to ETAG 006 when used as an EAD. The possible substrates for the fasteners covered by this ETA are profiled steel, concrete or plywood decks.

The performances given in Section 3.4 are only valid if the fasteners are used in compliance with the specifications and conditions given in section 3 and the Annexes to this ETA.

The verifications and assessment methods on which this ETA is based result in an assumed intended working life of 10 years. The indications given on the working life cannot be interpreted as a guarantee given by the producer, but are to be regarded only as a means for choosing the right products in relation to the expected economically reasonable working life of the works.

### 3. Performance of the product and references to the methods used for its assessment

The fasteners shall agree with the information given in Annexes 1-78, together with additional information that is deposited with FM Approvals and, where relevant, this information is also made available to Notified Bodies involved with the Attestation and Verification of Constancy of Performance (AVCP) at the manufacturers facilities.

#### 3.1 Mechanical resistance and stability (BWR 1)

Not applicable

#### 3.2 Safety in case of fire (BWR 2)

Not applicable

#### 3.3 Hygiene, health and the environment (BWR 3)

The manufacturer has declared that none of the materials or coatings involved in the manufacture of the fasteners contain dangerous substances as identified in EOTA Technical Report 034 (version October 2015).

**3.4 Safety and accessibility (BWR 4)**

Essential characteristic	Performance
Characteristic axial loading	See Annex 89-90
Resistance to Unwinding	Pass
Resistance to corrosion of metallic fasteners	Pass (<15% surface corrosion after 15 cycles)
Impact resistance and brittleness of plastic fasteners (before and after heat ageing)	Pass (drop height > 1.0m)
Requirements for results of Charpy impact tests for plastic materials (before and after heat ageing).	Pass (no significant degradation of impact resistance after heat ageing).

**3.5 Protection against noise (BWR 5)**

Not applicable

**3.6 Energy economy and heat retention (BWR 6)**

Not applicable

**3.7 Sustainable use of natural resources (BWR 7)**

For the sustainable use of natural resources no performance was assessed for this ETA.

**3.8 General aspects**

The thickness and strengths of substrates listed in Annexes 89 and 90 are minimum requirements. The axial load performance stated is also valid for larger substrate thicknesses and strengths.

**3.9 Statement concerning installation**

Installation is to be carried out strictly in accordance with the manufacturers written installation instructions, which shall be supplied to the installation company. The manufacturer has a responsibility to ensure that all relevant information in this ETA is made available to the installation company.

**4. Assessment and verification of constancy of performance (hereinafter AVCP) system applied, with reference to its legal base**

According to Decision of the European Commission of 03 February 1998 (98/143/EC), the system of AVCP (see Annex V and Article 65 Paragraph 2 of EU Regulation 305/2011) shown in the table below applies.

Product	Intended use(s)	Level or class	AVCP System
Systems of mechanically fastened flexible roof waterproofing Membranes	For roof waterproofing	—	2+

**5. Technical details necessary for the implementation of the AVCP system, as provided for in the applicable EAD**

Technical details necessary for the implementation of the AVCP system are held within a factory control plan that is kept by FM Approvals Limited.

Issued in Windsor, UK on 22.06.2018

By



R Zammitt  
Senior Engineer

A Was  
Deputy Certification Manager

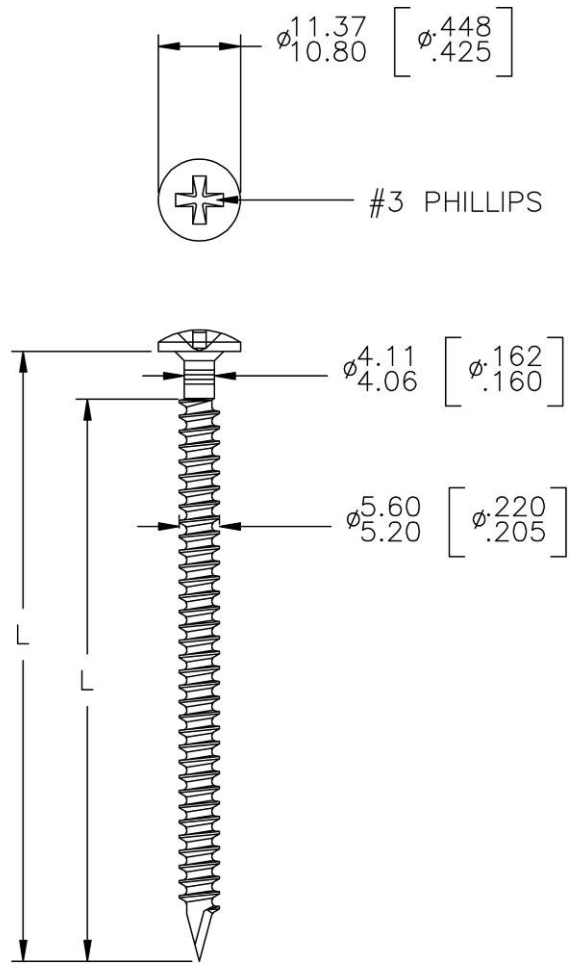
**Table 1****List of OMG Components**

<b>OMG Fastener name</b>	<b>Substrates</b>	<b>Function</b>	<b>Material</b>
#12 Standard Roofgrip	Plywood steel	Fastener screw	Coated carbon steel (red or black)
#12 Standard Roofgrip Drill Point	Plywood steel	Fastener screw	Coated carbon steel (red or black)
#14 Heavy Duty	Plywood Steel concrete	Fastener screw	Coated carbon steel (red or black)
#15 Roofgrip	Plywood Steel concrete	Fastener screw	Coated carbon steel (red or black)
XHD	Plywood steel	Fastener screw	Coated carbon steel (red or black)
Super XHD	Plywood steel	Fastener screw	Coated carbon steel (red or black)
Maxload	Plywood steel	Fastener screw	Coated carbon steel (red or black)
CD-10	Concrete	Concrete nail	Coated carbon steel (red or black)
Universal #14	Plywood Steel concrete	Fastener screw	Coated carbon steel (grey)
RetroDriller	Steel	Fastener screw	Coated carbon steel (red or black)
3" Ribbed galvalume insulation plate	-	Washer	Galvalume coated steel
AccuTrac plate	-	Washer	Galvalume coated steel
XHD barbed stress plate	-	Washer	Galvalume coated steel
2 3/8" Eyehook seam plate	-	Washer	Galvalume coated steel
2 3/4" Eyehook seam plate	-	Washer	Galvalume coated steel
Maxload seam plate	-	Washer	Galvalume coated steel
3/4" Polymer batten strip	-	Linear Fastener	Polymeric
3" Plastic insulation plate	-	Washer	Polymeric
2" Metal seam plate		Washer	Galvalume coated steel
2" Metal barbed seam plate		Washer	Galvalume coated steel
80mm RhinoBond Insulation Plate		Washer	Galvalume coated steel
RhinoBond Treadsafe Plate with Treadsafe plastic insert tube		Washer	Galvalume coated steel and polymeric

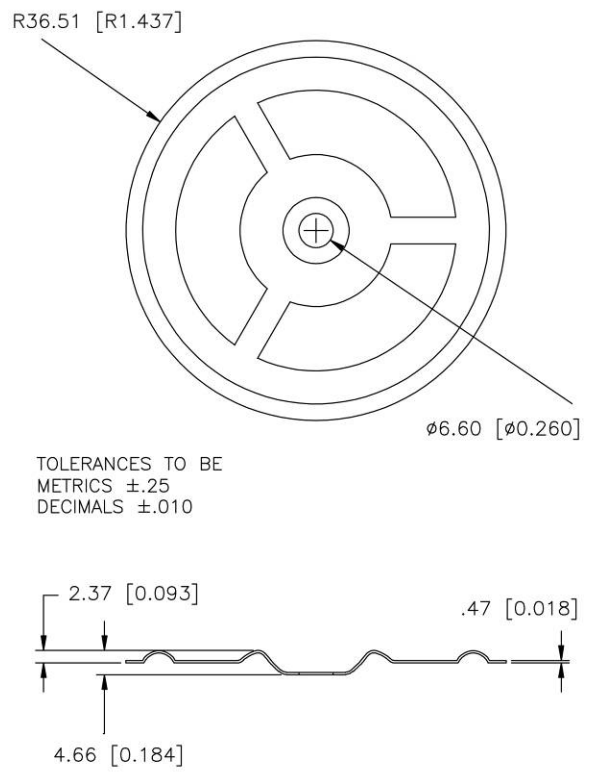
**Note:**

In the following Annexes 1 to 88 key dimensions are given both in metric (mm) and imperial (inches) units. Metric units are indicated first followed by imperial units in square brackets.

**OMG #12 Standard Roofgrip**



**OMG 3" Ribbed Galvalume Insulation Plate**



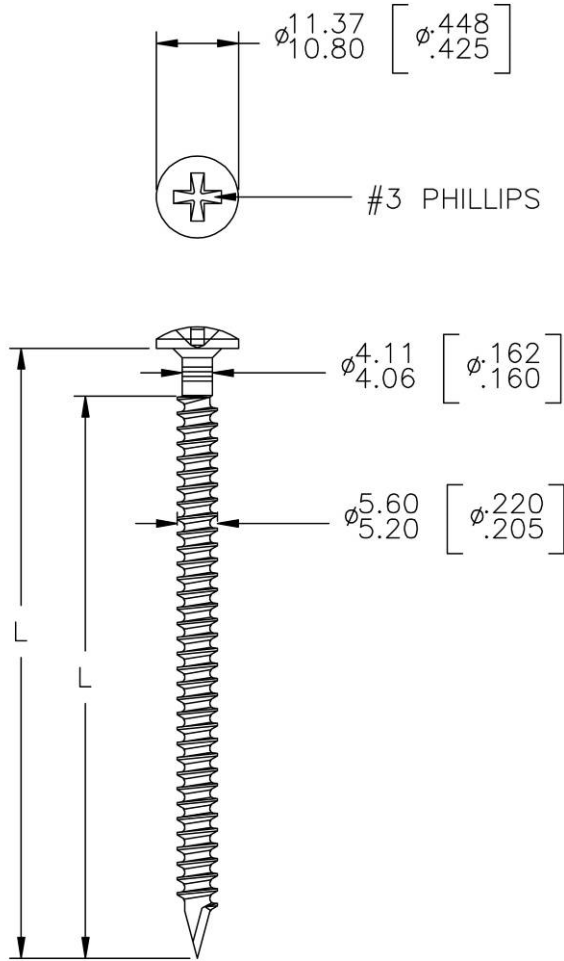
**Combination 1**

**Annex 1**

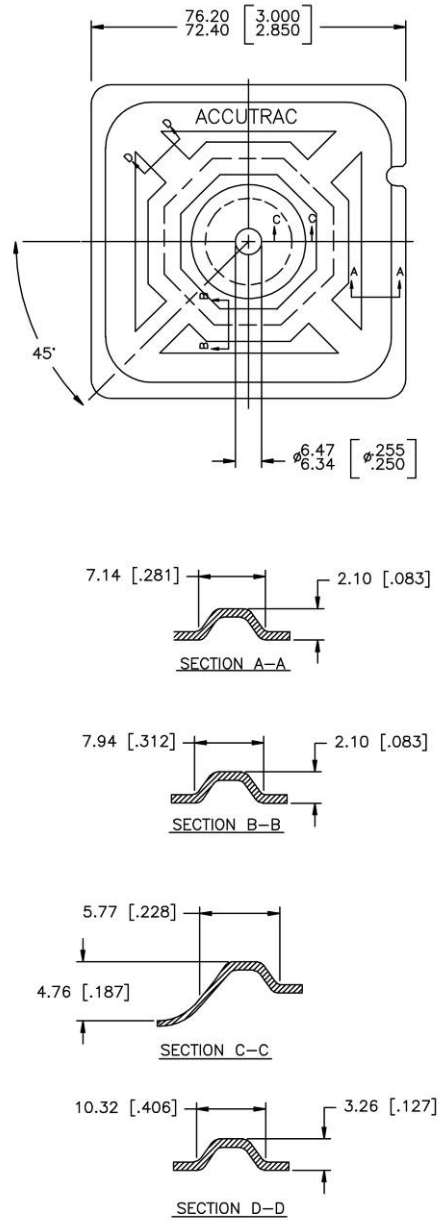
Of the European Technical Assessment  
**ETA – 09/0337**

**OMG Flat Roof Fasteners**

**OMG #12 Standard Roofgrip**



**OMG AccuTrac plate**



TOLERANCES TO BE  
 METRICS ±.127  
 DECIMALS ±.005

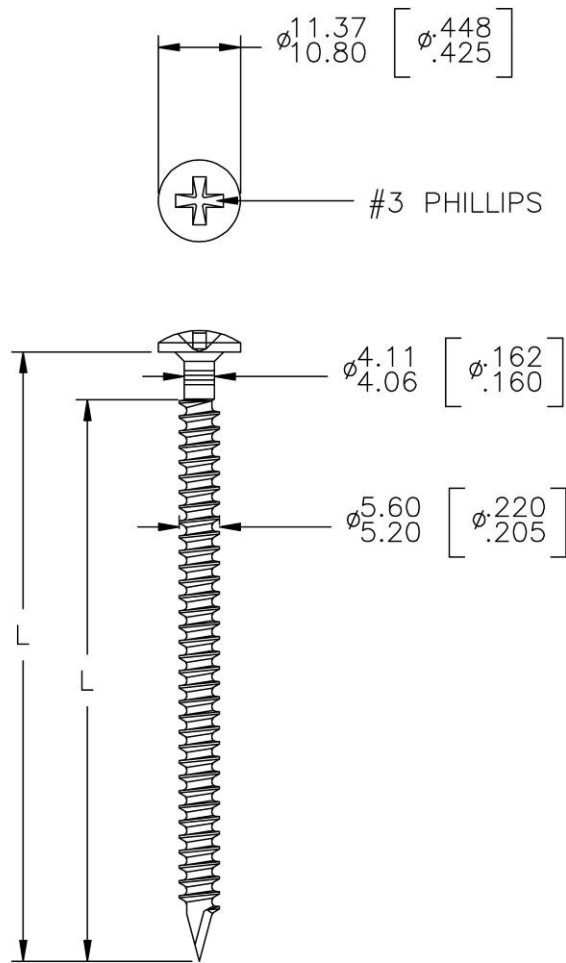
**Combination 2**

**Annex 2**  
 Of the European Technical Assessment  
**ETA – 09/0337**

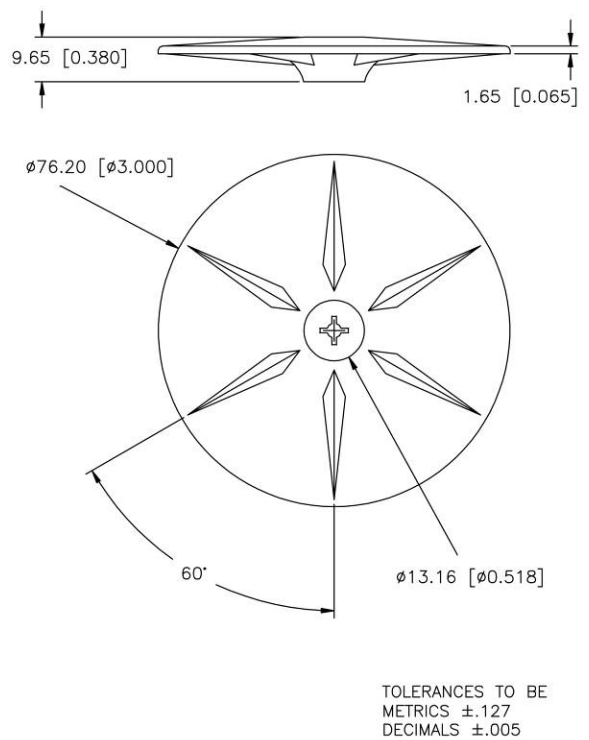
**OMG Flat Roof Fasteners**



**OMG #12 Standard Roofgrip**



**OMG 3" Plastic Insulation Plate**



**Combination 3**

**Annex 3**

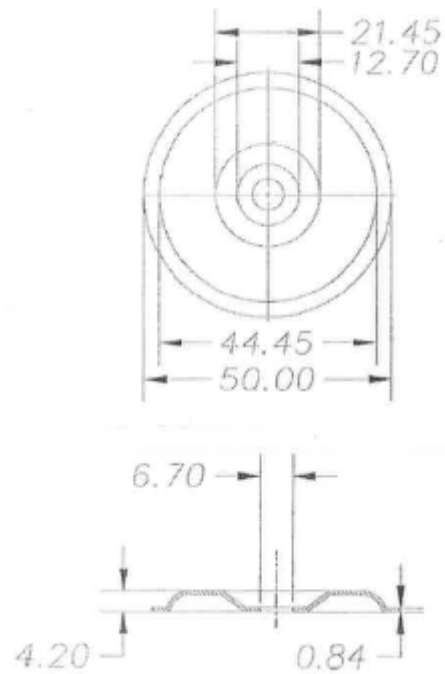
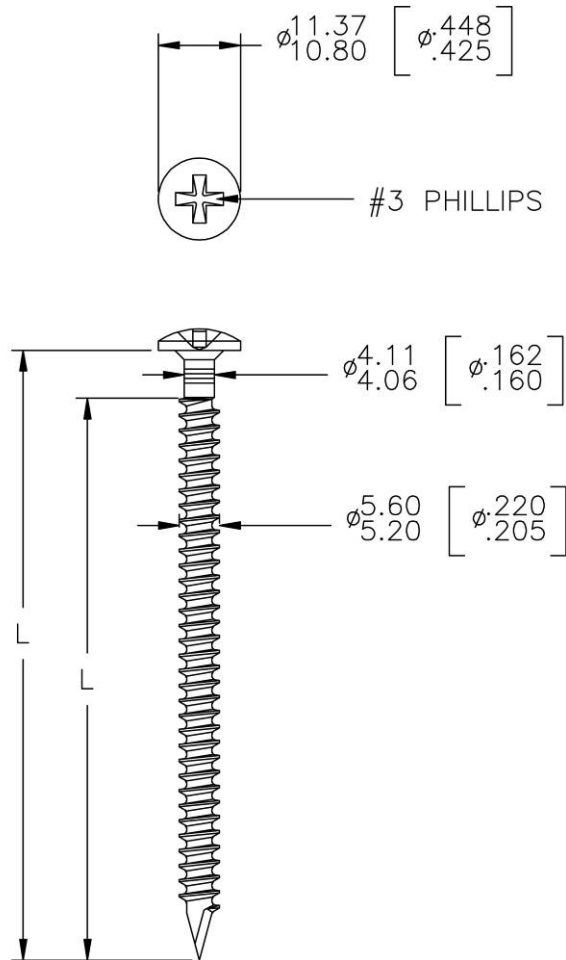
Of the European Technical Assessment

**OMG Flat Roof Fasteners**

**ETA – 09/0337**

**OMG #12 Standard Roofgrip**

**OMG 2'' Metal Seam Plate**



**Combination 4**

**Annex 4**

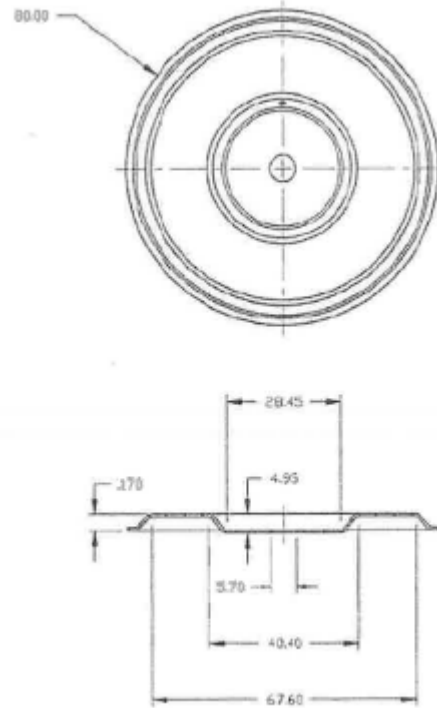
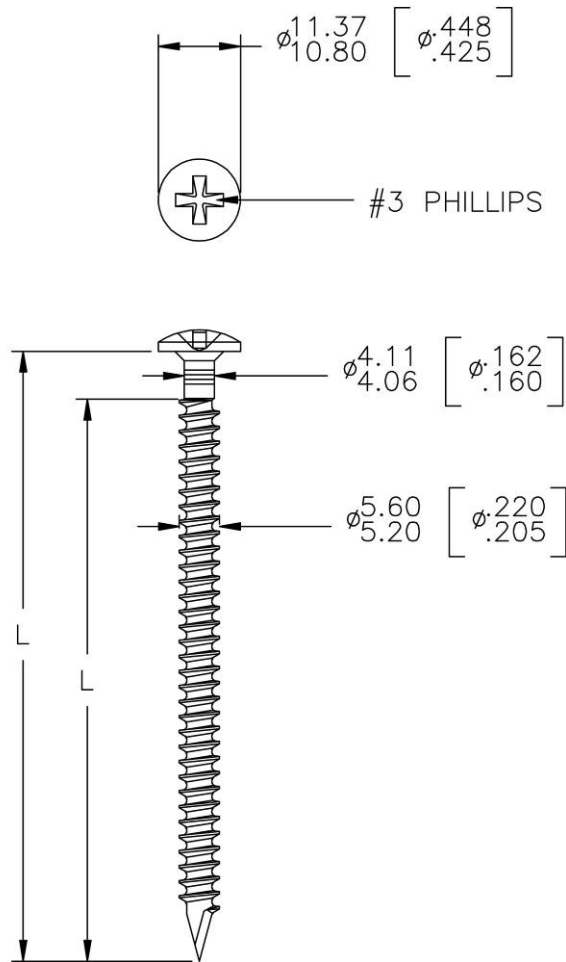
Of the European Technical Assessment

**OMG Flat Roof Fasteners**

**ETA – 09/0337**

**OMG #12 Standard Roofgrip**

**OMG 80mm RhinoBond Insulation Plate**



**Combination 5**

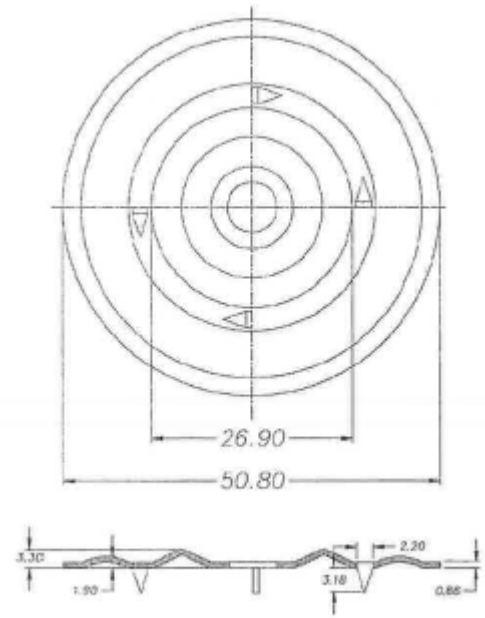
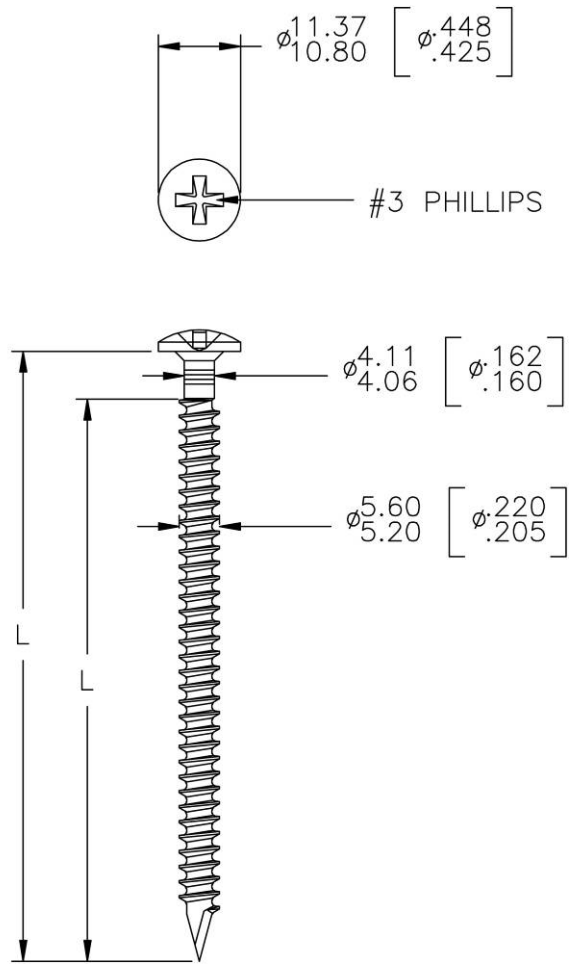
**Annex 5**

Of the European Technical Assessment  
**ETA – 09/0337**

**OMG Flat Roof Fasteners**

**OMG #12 Standard Roofgrip**

**OMG 2" Metal Barbed Seam Plate**



**Combination 6**

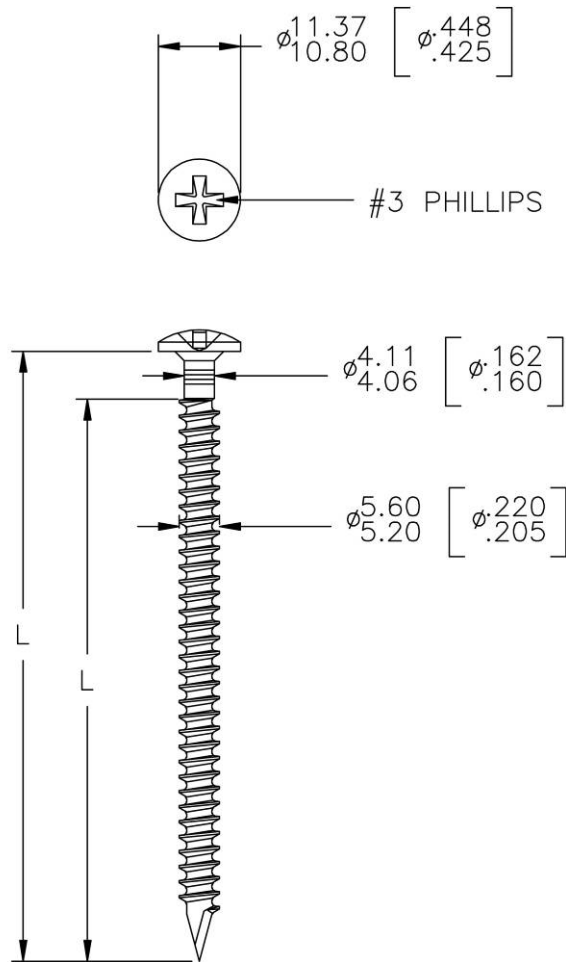
**Annex 6**

Of the European Technical Assessment

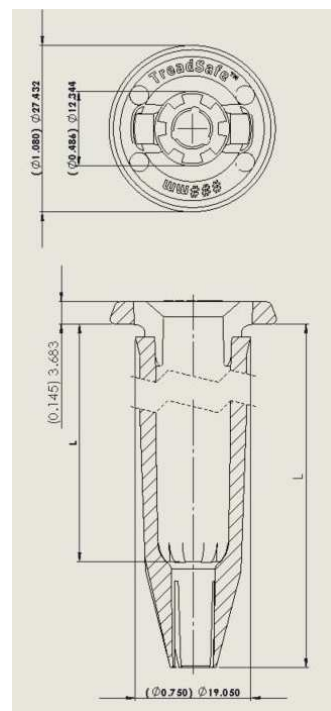
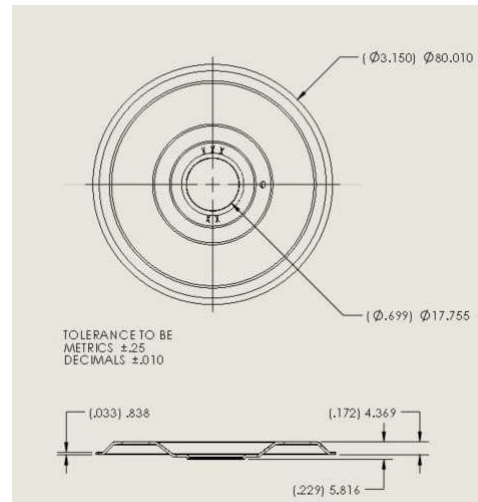
**OMG Flat Roof Fasteners**

**ETA – 09/0337**

**OMG #12 Standard Roofgrip**



**OMG RhinoBond Treadsafe Plate with Treadsafe plastic insert tube**



**Combination 7**

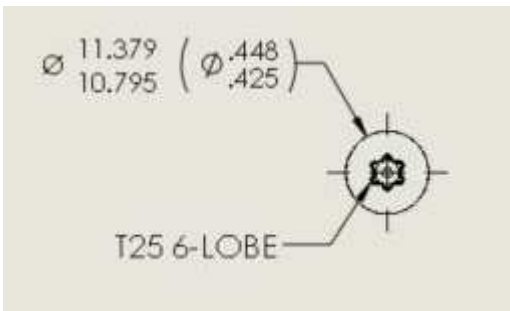
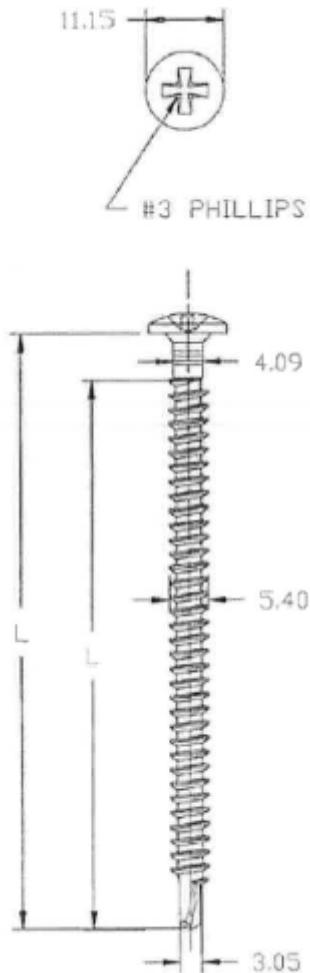
**Annex 7**

Of the European Technical Assessment

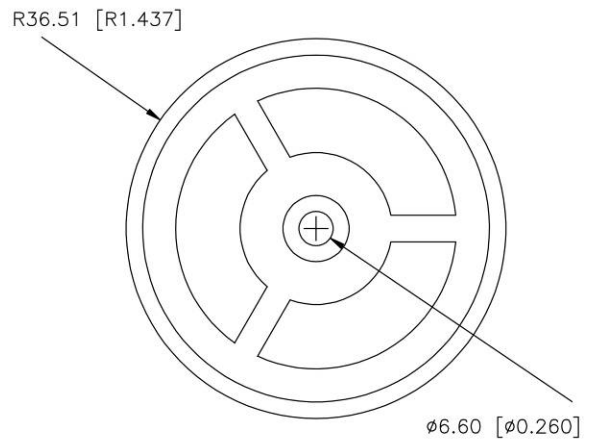
**OMG Flat Roof Fasteners**

**ETA – 09/0337**

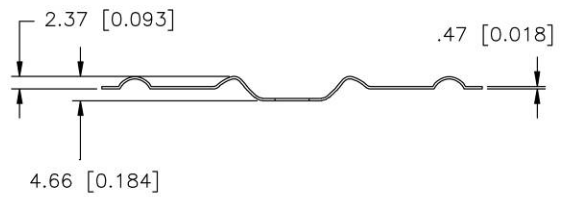
**OMG #12 Standard Roofgrip DP**



**OMG 3" Ribbed Galvalume Insulation Plate**



TOLERANCES TO BE  
METRICS ±.25  
DECIMALS ±.010



**Combination 8**

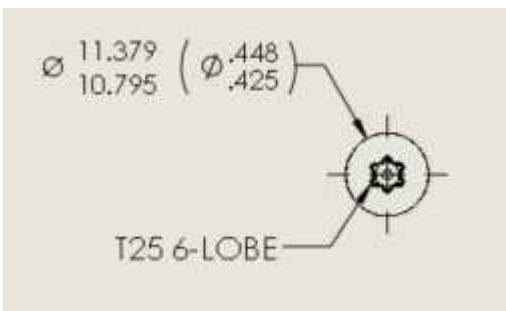
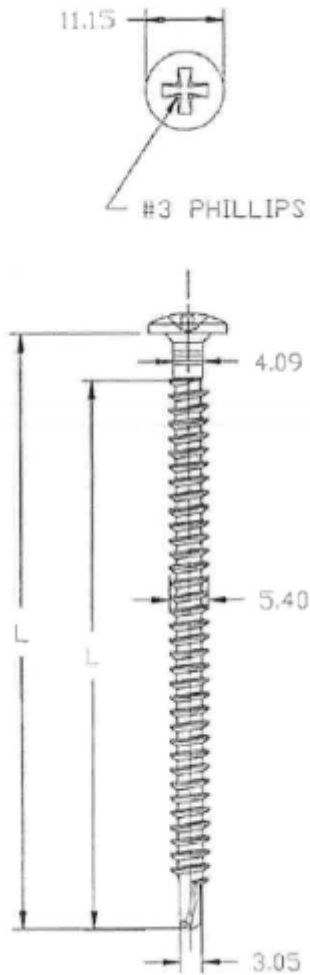
**Annex 8**

Of the European Technical Assessment

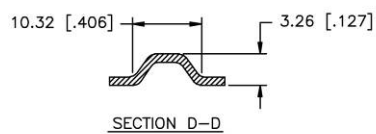
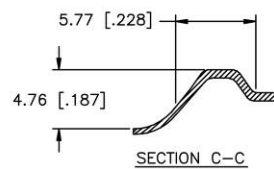
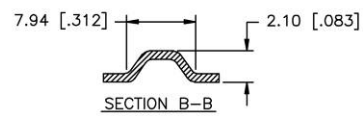
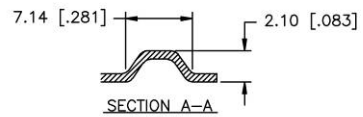
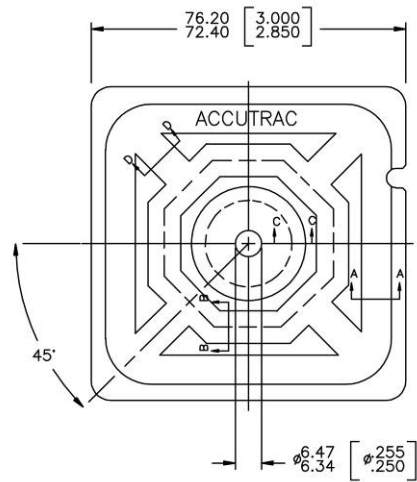
**OMG Flat Roof Fasteners**

**ETA – 09/0337**

**OMG #12 Standard Roofgrip DP**



**OMG AccuTrac plate**



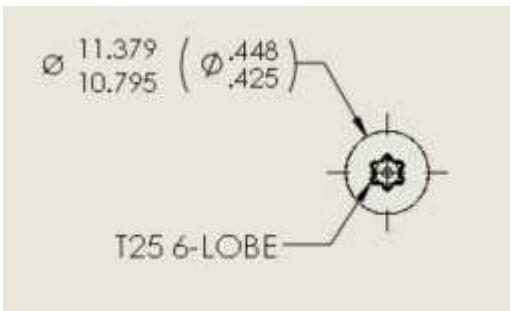
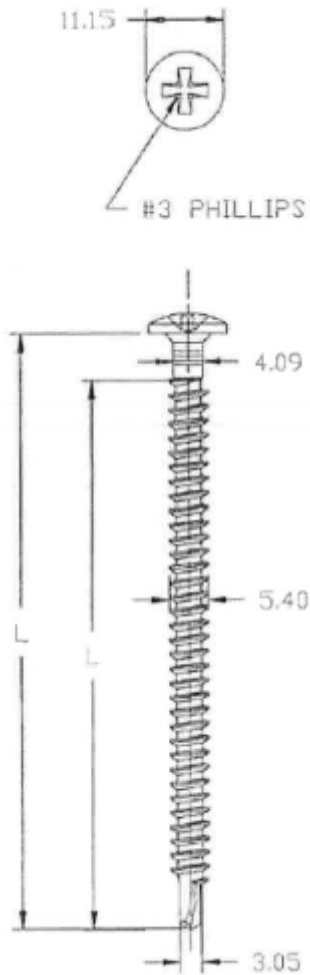
TOLERANCES TO BE  
METRICS ±.127  
DECIMALS ±.005

**Combination 9**

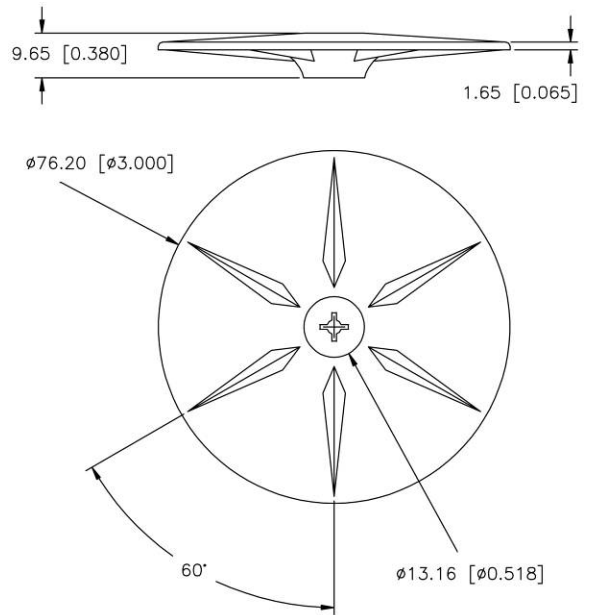
**Annex 9**  
Of the European Technical Assessment  
**ETA – 09/0337**

**OMG Flat Roof Fasteners**

**OMG #12 Standard Roofgrip DP**



**OMG 3" Plastic Insulation Plate**



TOLERANCES TO BE METRICS ±.127  
DECIMALS ±.005

**Combination 10**

**Annex 10**

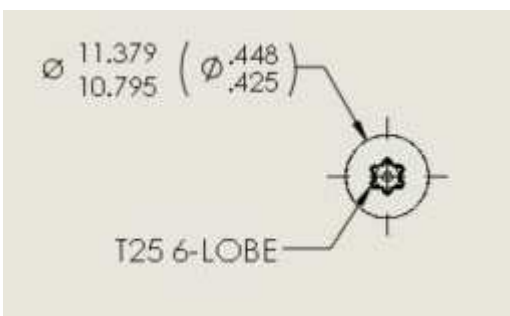
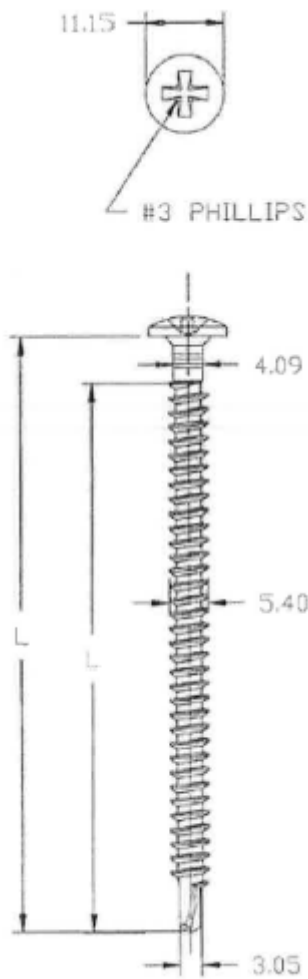
Of the European Technical Assessment

**OMG Flat Roof Fasteners**

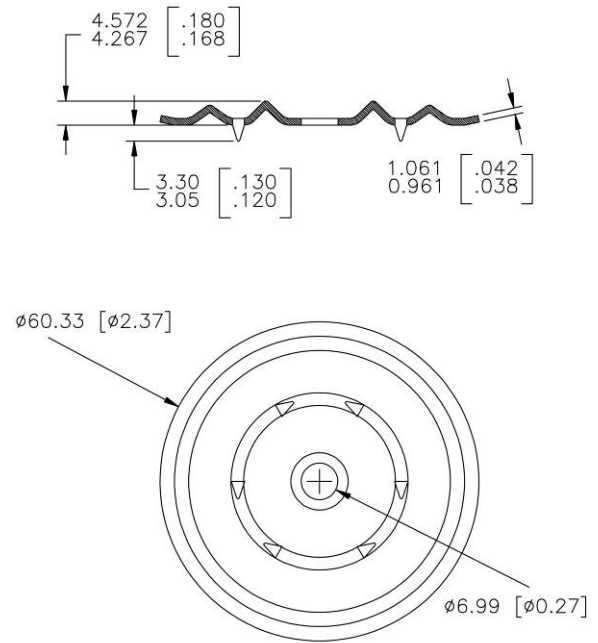
**ETA – 09/0337**



**OMG #12 Standard Roofgrip DP**



**OMG XHD Barbed Stress Plate**



TOLERANCES TO BE  
 METRICS ±.127  
 DECIMALS ±.005

**Combination 11**

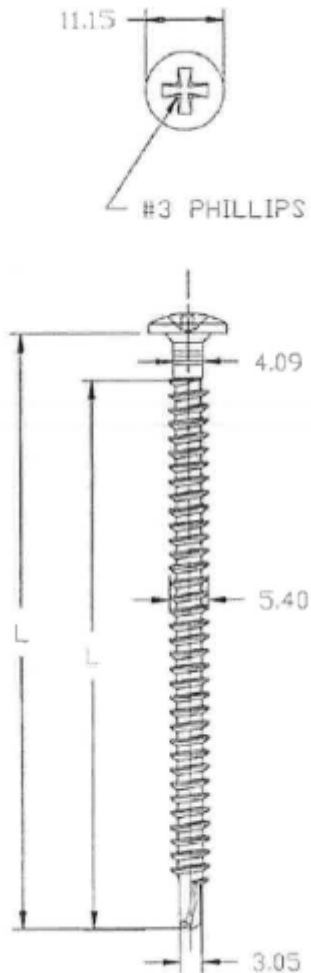
**Annex 11**

Of the European Technical Assessment

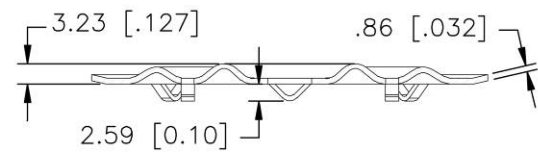
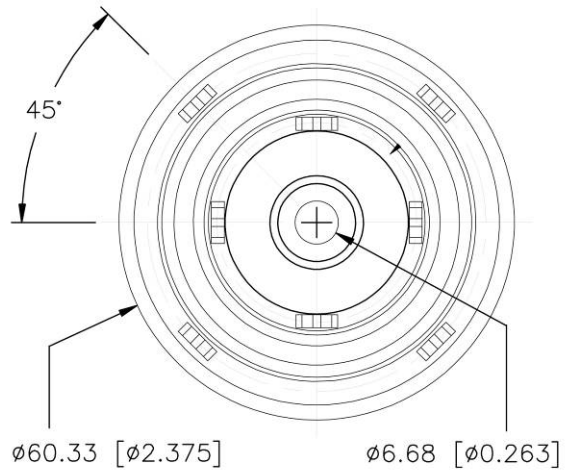
**OMG Flat Roof Fasteners**

**ETA – 09/0337**

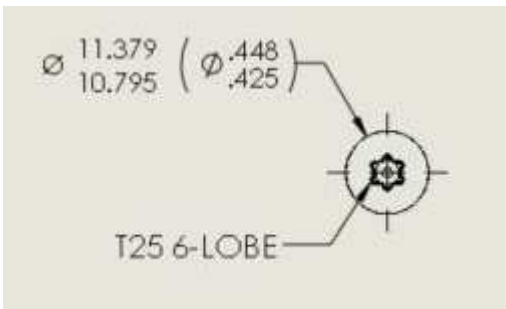
**OMG #12 Standard Roofgrip DP**



**OMG 2 3/8" Eyehook Seam Plate**



TOLERANCES TO BE  
METRICS ±.127  
DECIMALS ±.005



**Combination 12**

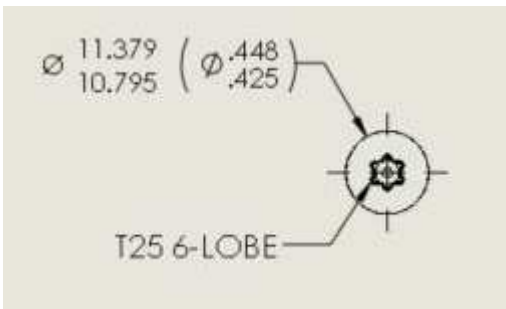
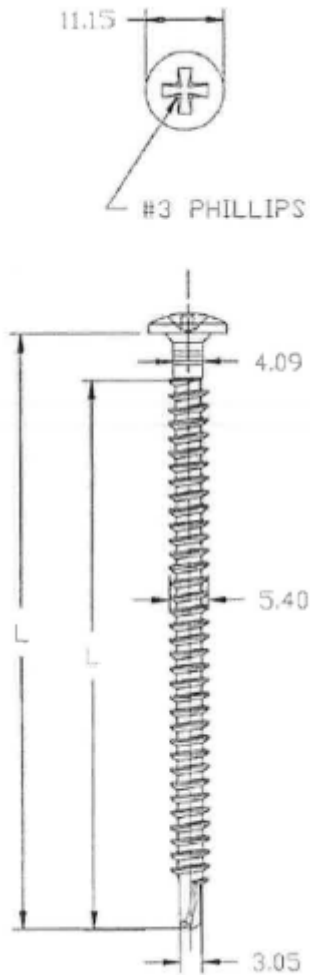
**Annex 12**

Of the European Technical Assessment

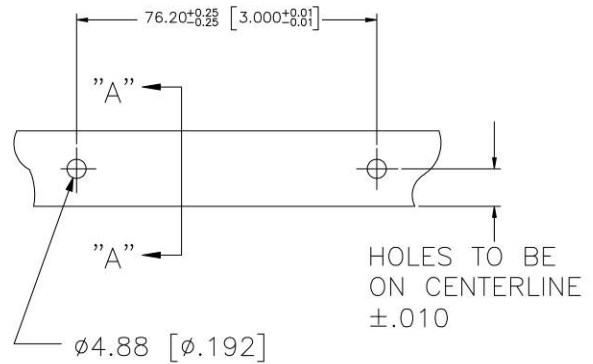
**OMG Flat Roof Fasteners**

**ETA – 09/0337**

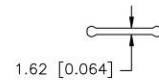
**OMG #12 Standard Roofgrip DP**



**OMG 3/4" Polymer batten Strip**



TOLERANCES TO BE  
METRICS ±.127  
DECIMALS ±.005



SECTION "A-A"

**Combination 13**

**Annex 13**

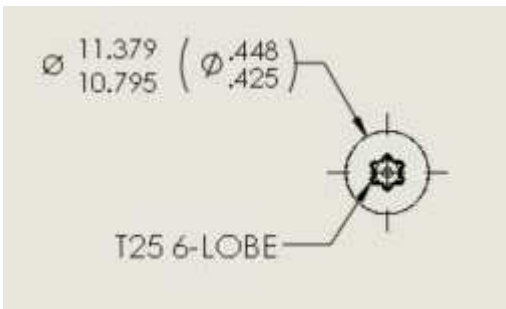
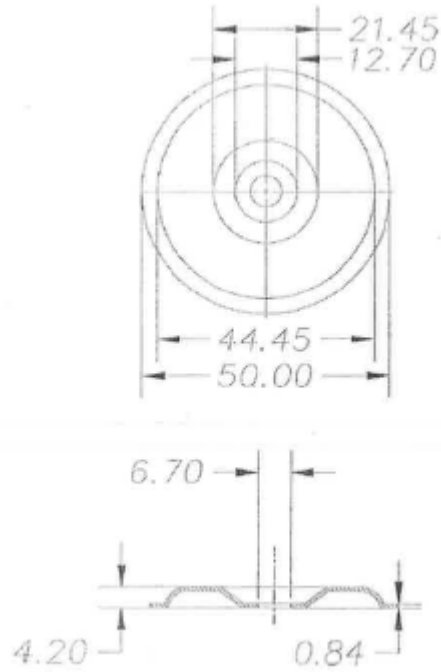
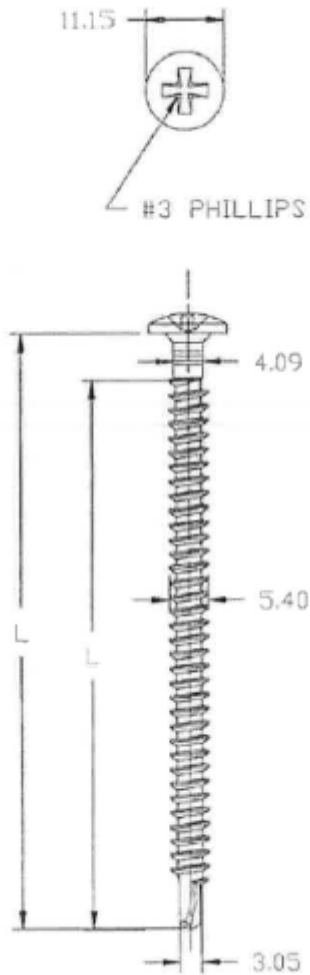
Of the European Technical Assessment

**OMG Flat Roof Fasteners**

**ETA – 09/0337**

**OMG #12 Standard Roofgrip DP**

**OMG 2" Metal Seam Plate**



**Combination 14**

**Annex 14**

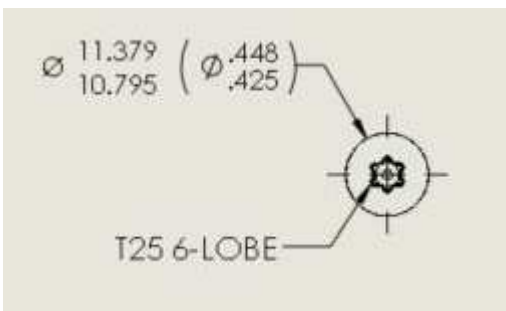
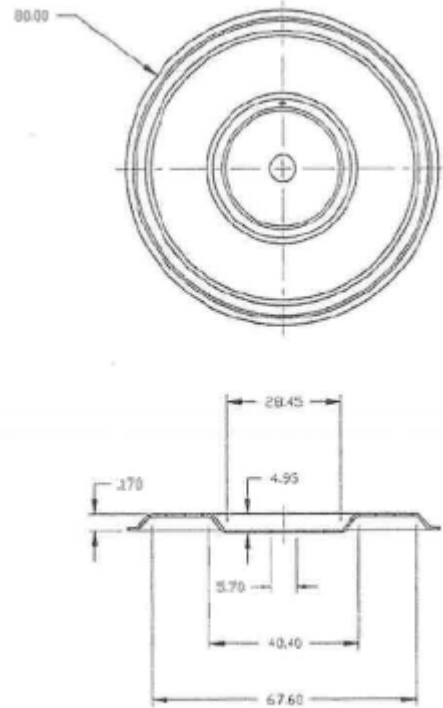
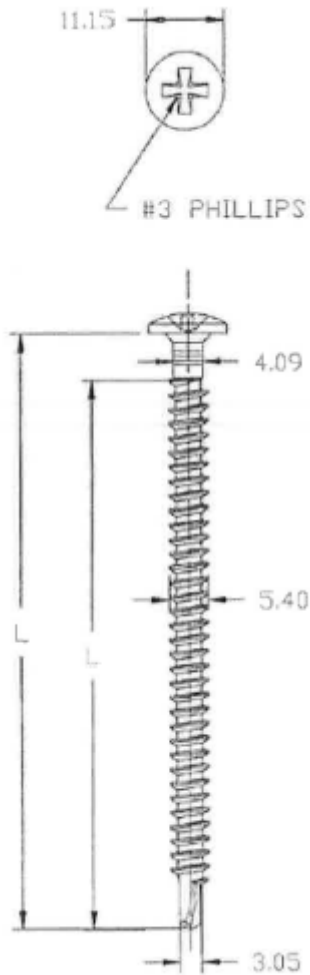
Of the European Technical Assessment

**OMG Flat Roof Fasteners**

**ETA – 09/0337**

**OMG #12 Standard Roofgrip DP**

**OMG 80mm RhinoBond Insulation Plate**



**Combination 15**

**Annex 15**

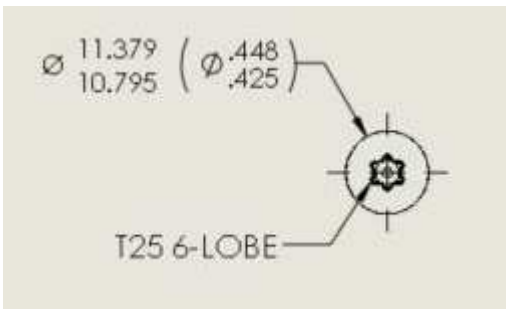
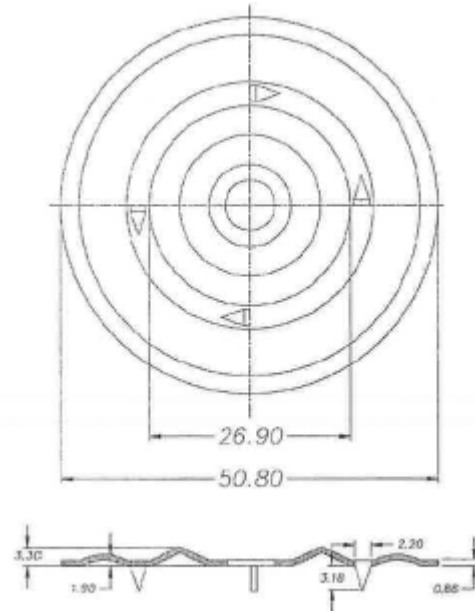
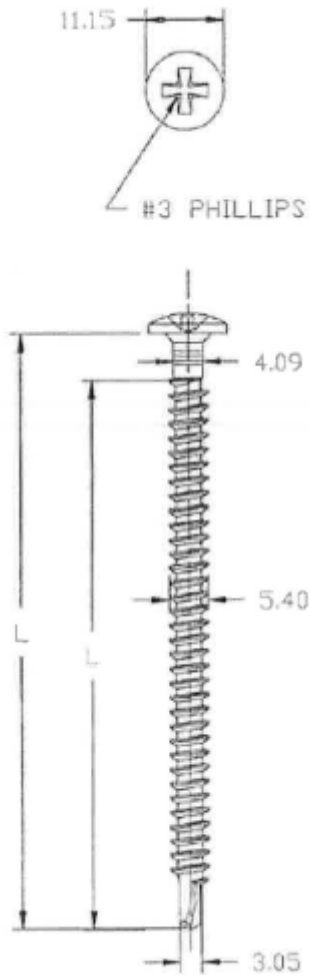
Of the European Technical Assessment

**OMG Flat Roof Fasteners**

**ETA – 09/0337**

**OMG #12 Standard Roofgrip DP**

**OMG 2" Metal barbed Seam Plate**



**Combination 16**

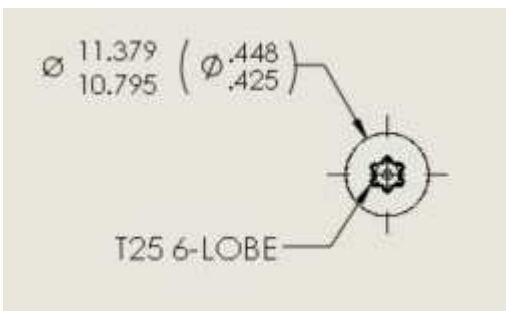
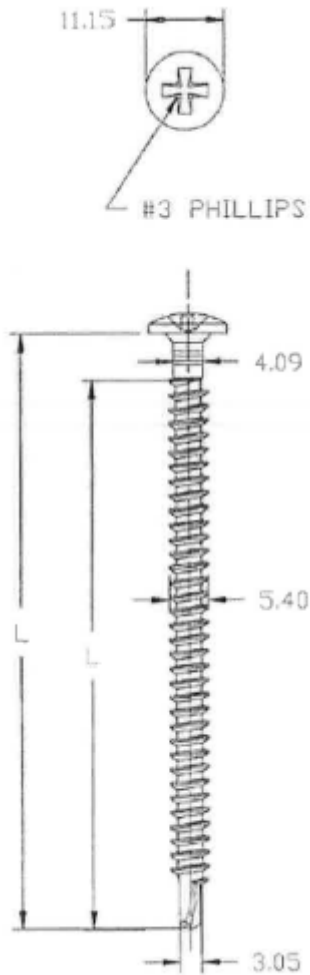
**Annex 16**

Of the European Technical Assessment

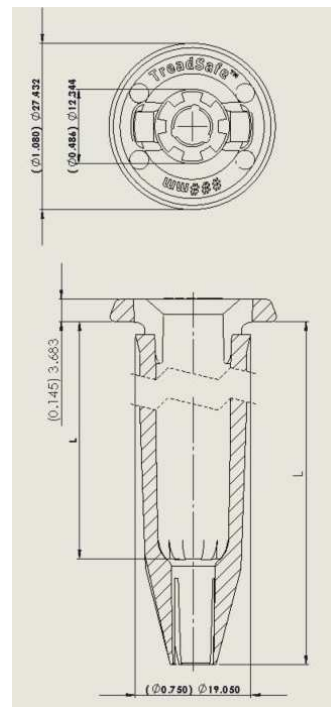
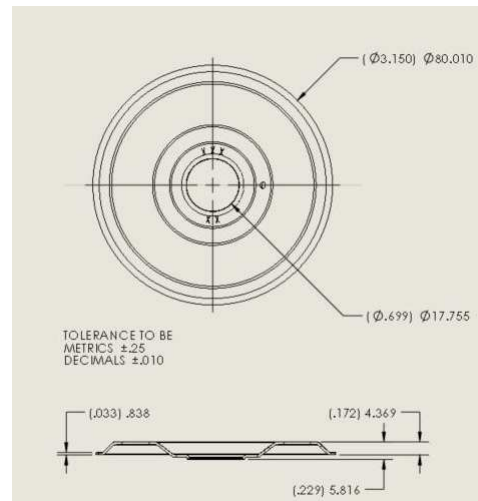
**OMG Flat Roof Fasteners**

**ETA – 09/0337**

**OMG #12 Standard Roofgrip DP**



**OMG RhinoBond Treadsafe Plate with Treadsafe plastic insert tube**



**Combination 17**

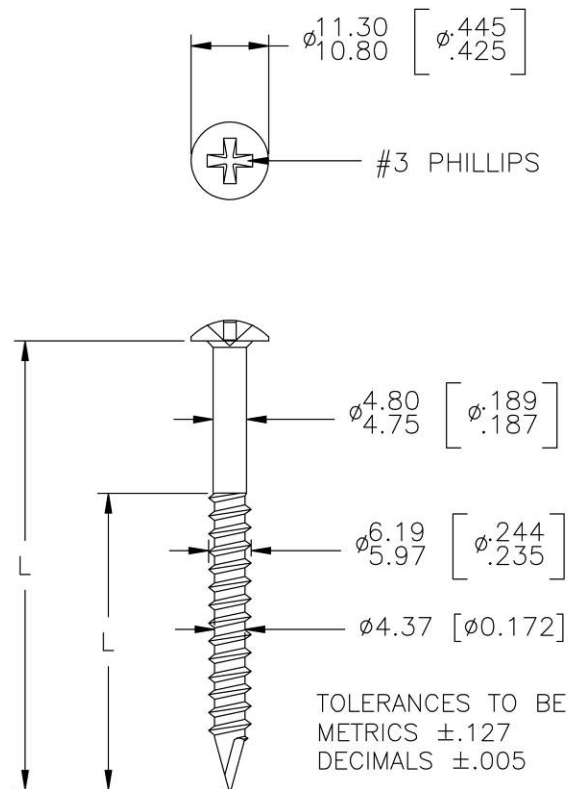
**Annex 17**

Of the European Technical Assessment

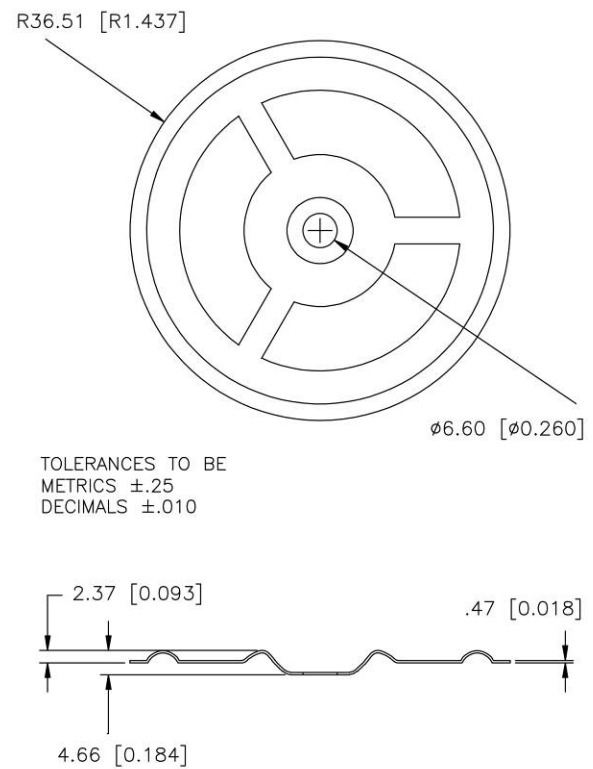
**OMG Flat Roof Fasteners**

**ETA – 09/0337**

**OMG #14 Heavy Duty Fastener**



**OMG 3" Ribbed Galvalume Insulation Plate**



**Combination 18**

**Annex 18**

Of the European Technical Assessment

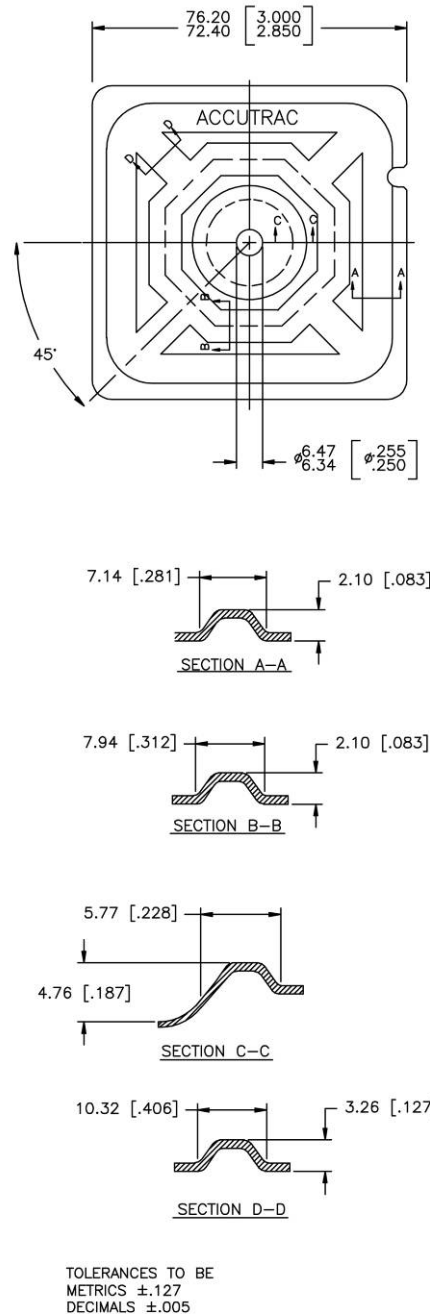
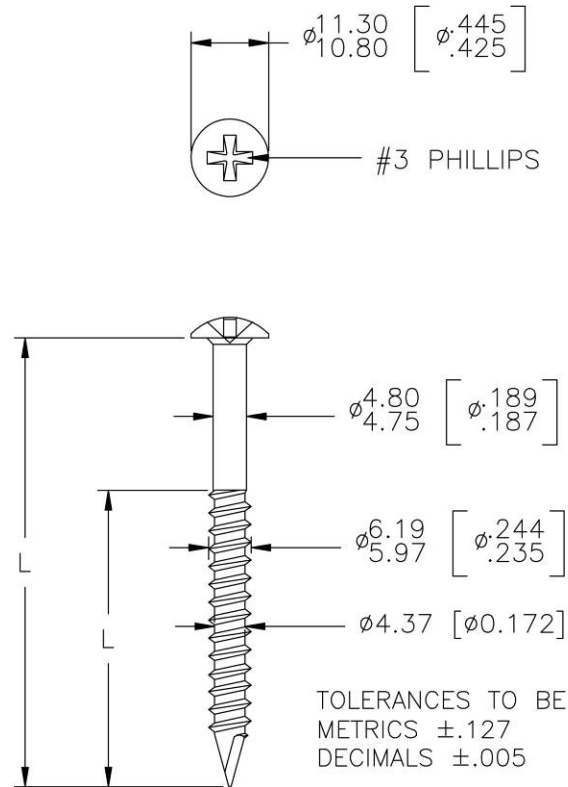
**ETA – 09/0337**

**OMG Flat Roof Fasteners**



**OMG #14 Heavy Duty Fastener**

**OMG AccuTrac plate**



**Combination 19**

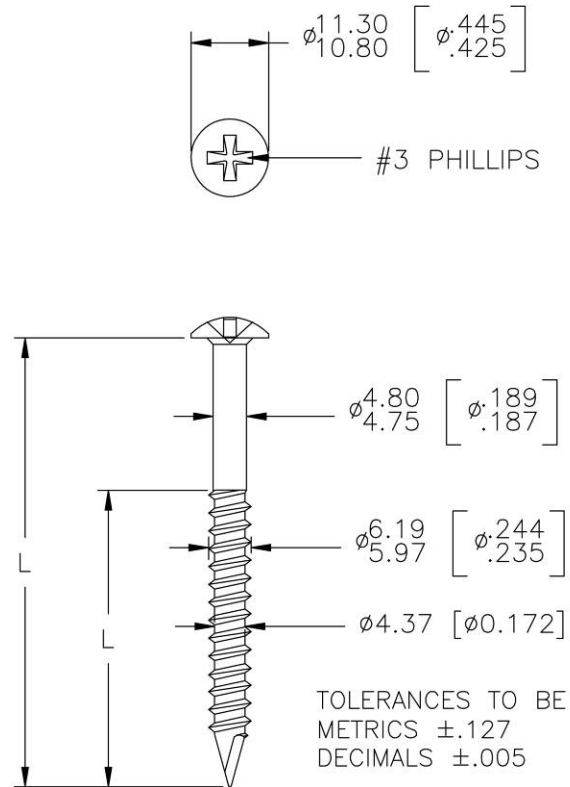
**Annex 19**

Of the European Technical Assessment

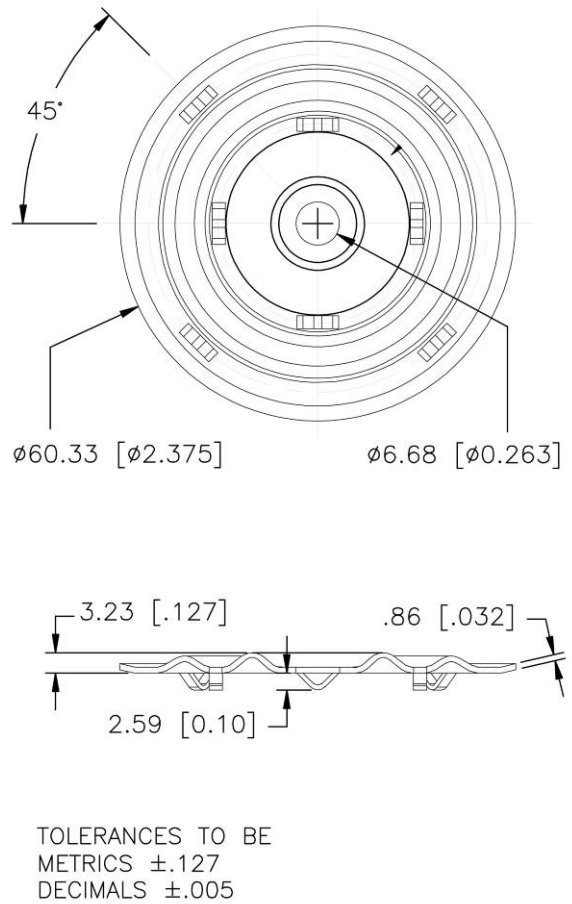
**ETA – 09/0337**

**OMG Flat Roof Fasteners**

**OMG #14 Heavy Duty Fastener**



**OMG 2 3/8" Eyehook seam plate**



**Combination 20**

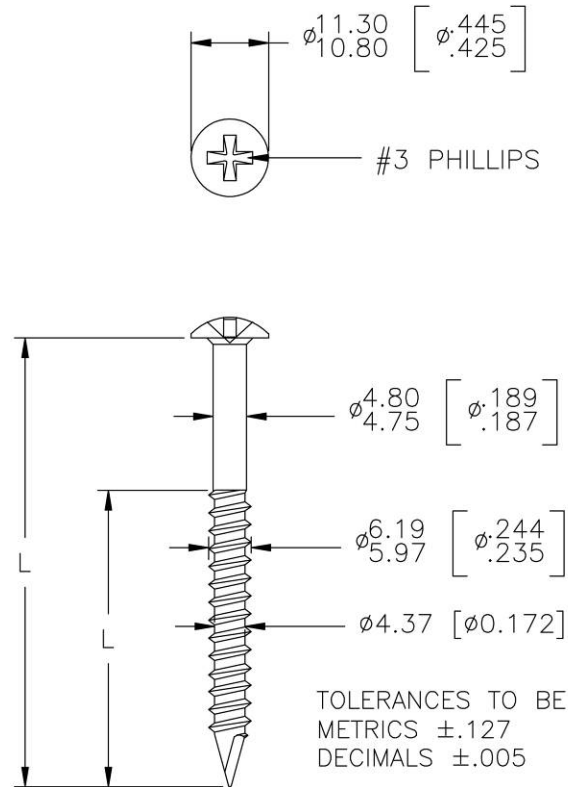
**Annex 20**

Of the European Technical Assessment

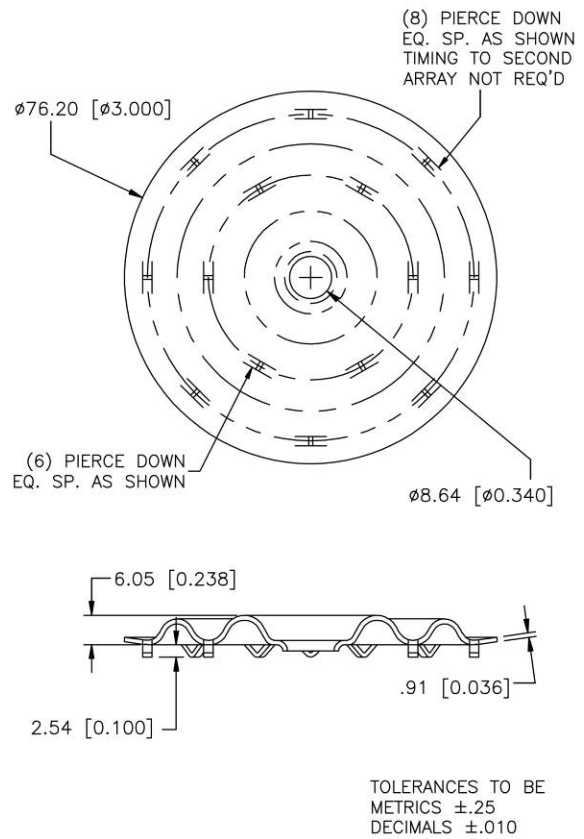
**ETA – 09/0337**

**OMG Flat Roof Fasteners**

**OMG #14 Heavy Duty Fastener**



**OMG Maxload seam plate**



**Combination 21**

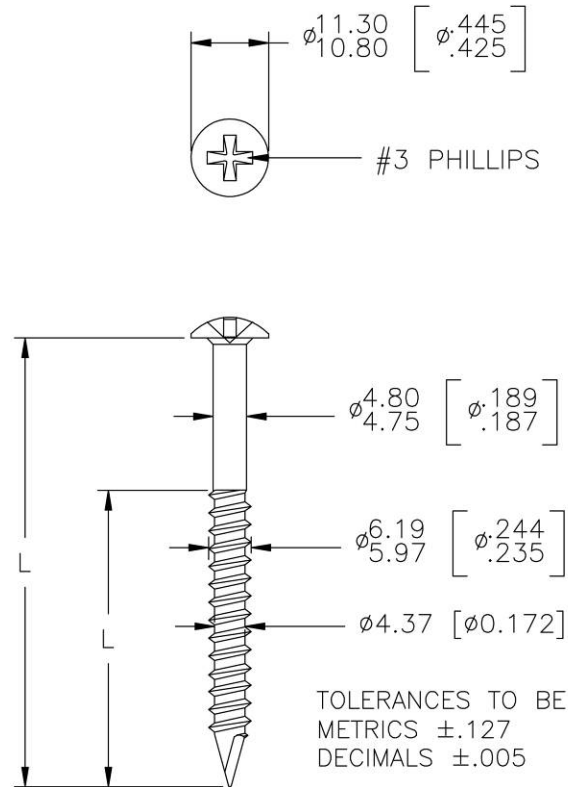
**Annex 21**

Of the European Technical Assessment

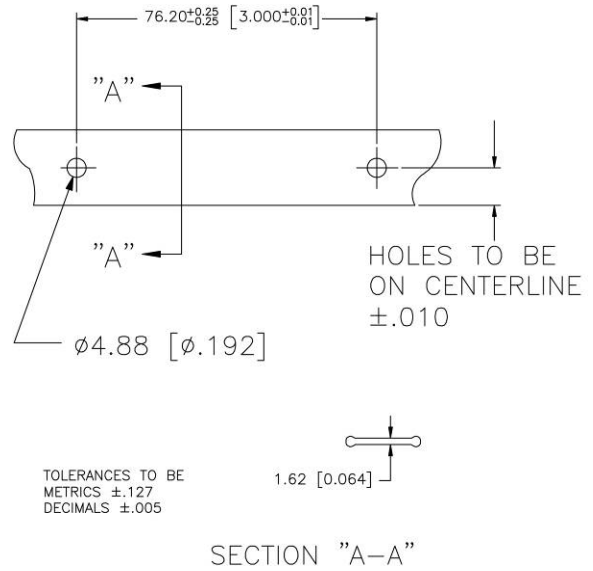
**ETA – 09/0337**

**OMG Flat Roof Fasteners**

**OMG #14 Heavy Duty Fastener**



**OMG 3/4" polymer batten strip**



**Combination 22**

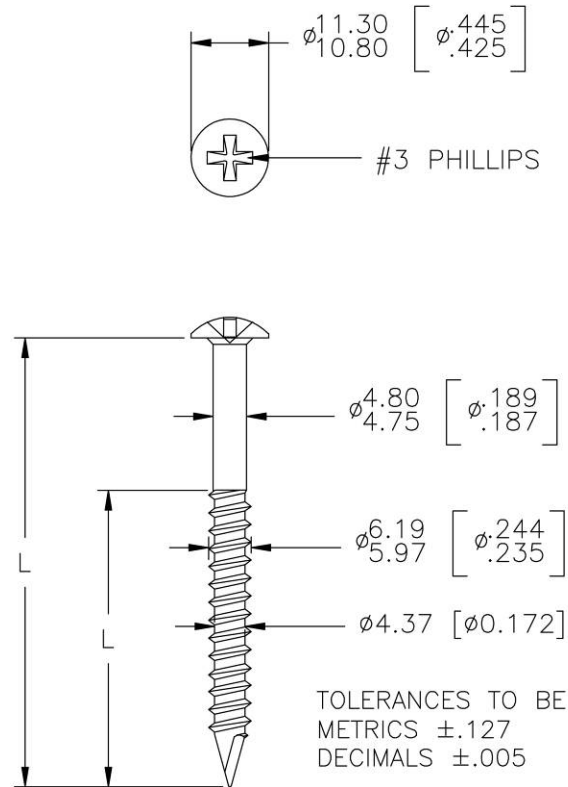
**Annex 22**

Of the European Technical Assessment

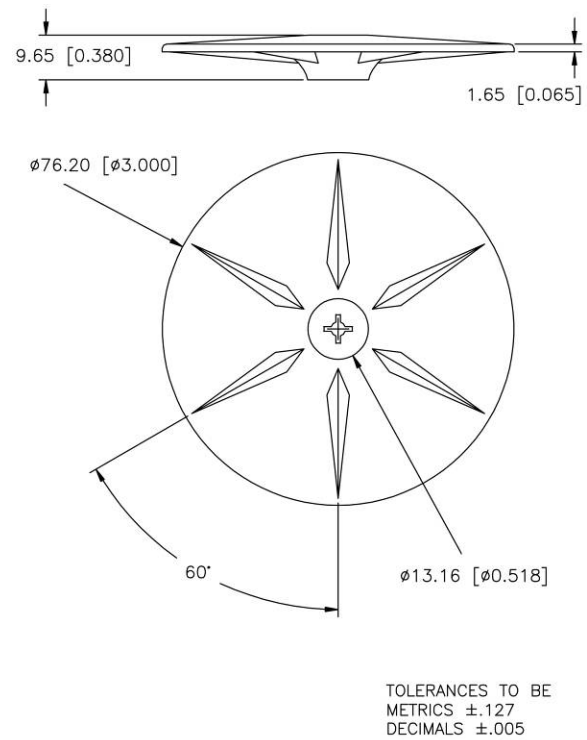
**ETA – 09/0337**

**OMG Flat Roof Fasteners**

**OMG #14 Heavy Duty Fastener**



**OMG 3" Plastic Insulation Plate**



**Combination 23**

**Annex 23**

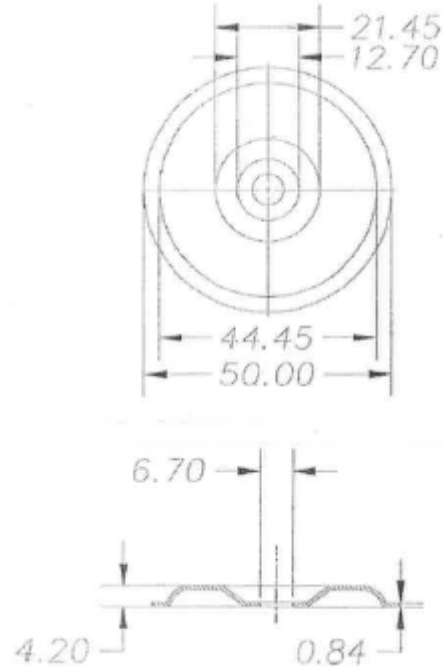
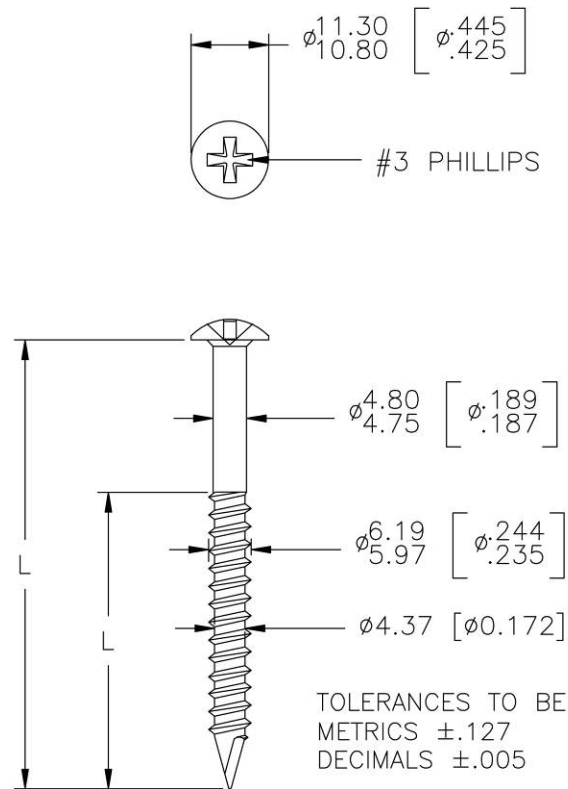
Of the European Technical Assessment

**ETA – 09/0337**

**OMG Flat Roof Fasteners**

**OMG #14 Heavy Duty Fastener**

**OMG 2'' Metal Seam Plate**



**Combination 24**

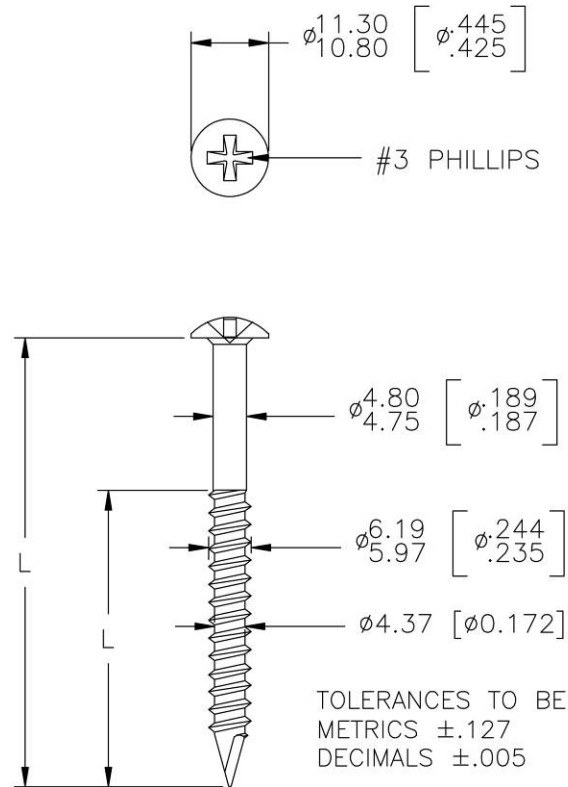
**Annex 24**

Of the European Technical Assessment

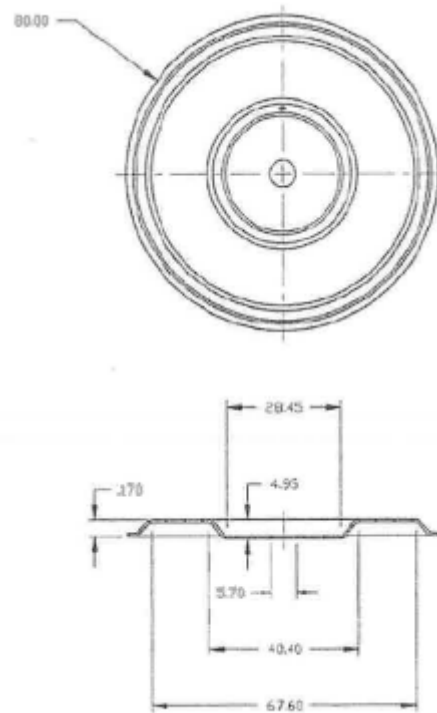
**ETA – 09/0337**

**OMG Flat Roof Fasteners**

**OMG #14 Heavy Duty Fastener**



**OMG 80mm RhinoBond Insulation Plate**



**Combination 25**

**Annex 25**

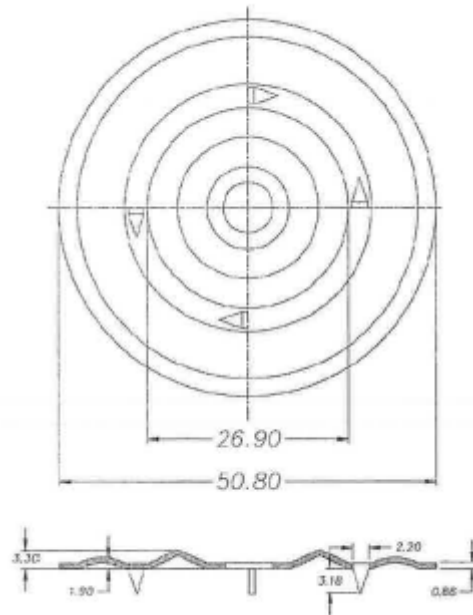
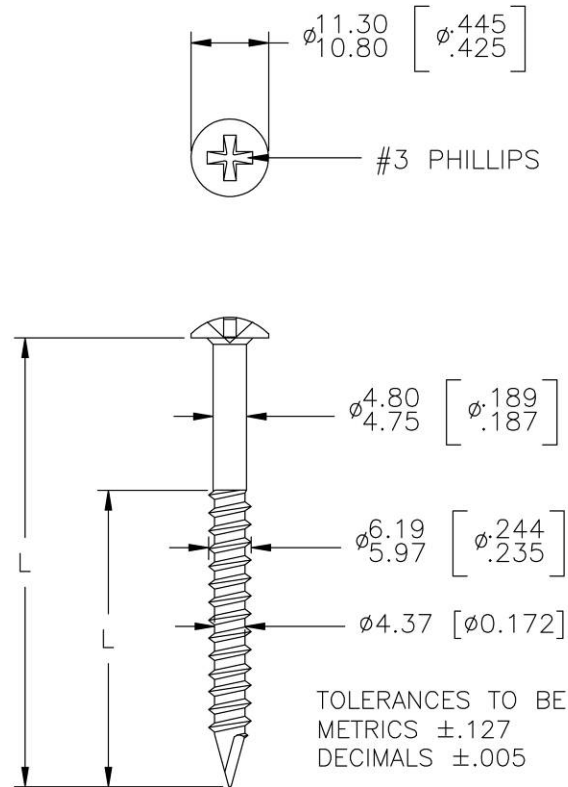
Of the European Technical Assessment

**ETA – 09/0337**

**OMG Flat Roof Fasteners**

**OMG #14 Heavy Duty Fastener**

**OMG 2'' Metal Barbed Seam Plate**



**Combination 26**

**Annex 26**

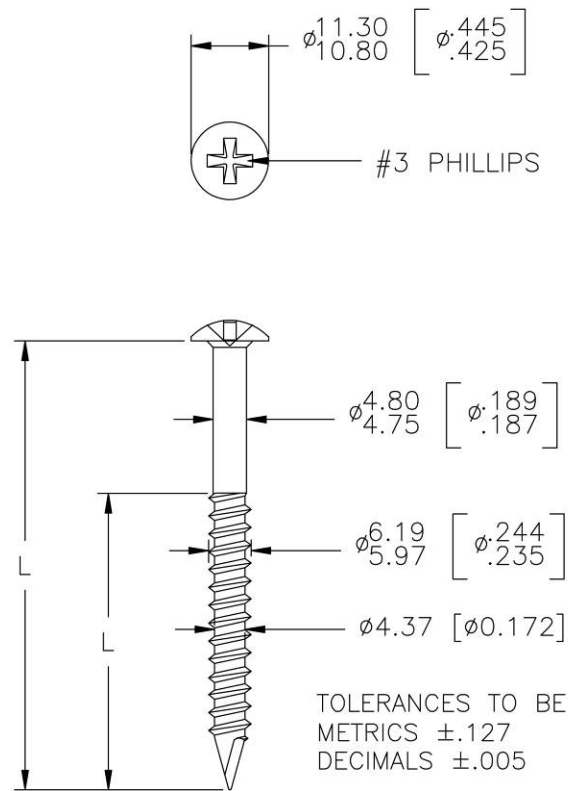
Of the European Technical Assessment

**ETA – 09/0337**

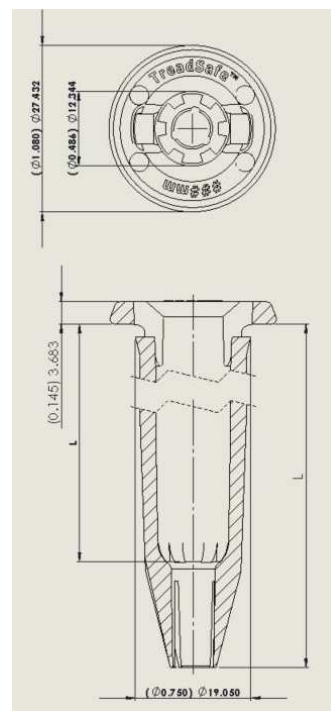
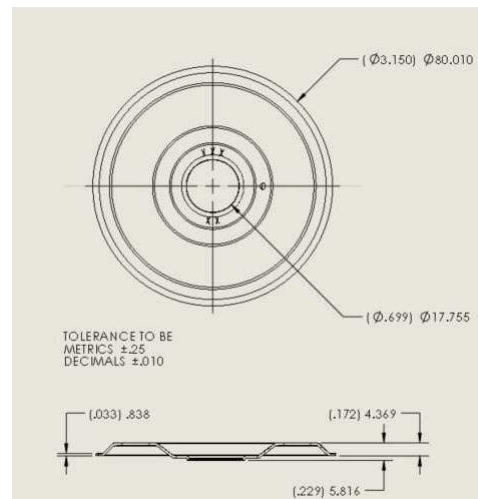
**OMG Flat Roof Fasteners**



**OMG #14 Heavy Duty Fastener**



**OMG RhinoBond Treadsafe Plate with Treadsafe plastic insert tube**



**Combination 27**

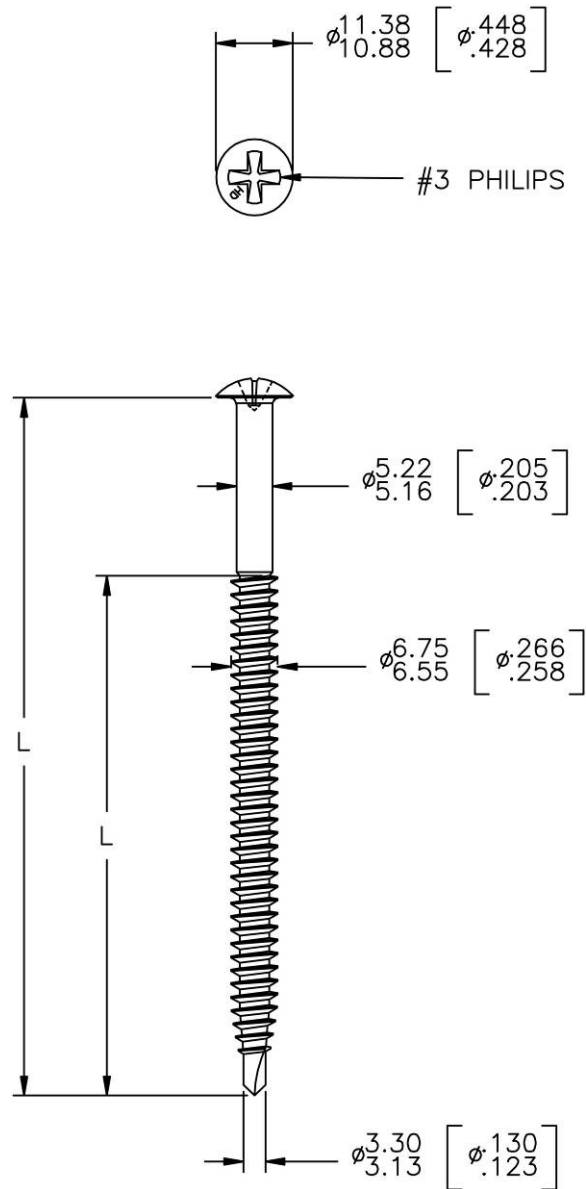
**Annex 27**

Of the European Technical Assessment

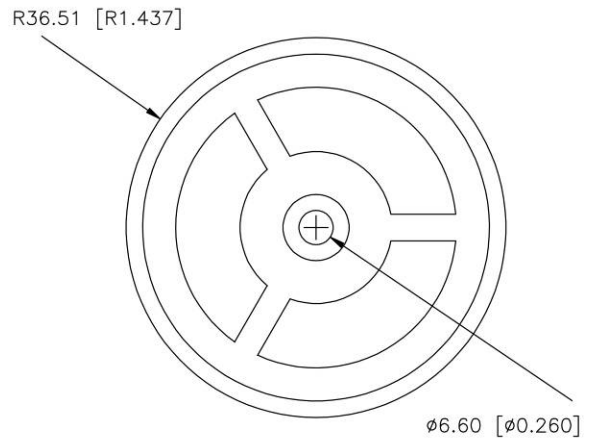
**ETA – 09/0337**

**OMG Flat Roof Fasteners**

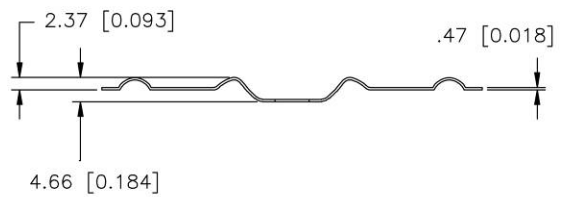
**OMG #15 Roofgrip**



**OMG 3'' Ribbed Galvalume Insulation Plate**



TOLERANCES TO BE  
METRICS  $\pm .25$   
DECIMALS  $\pm .010$



**Combination 28**

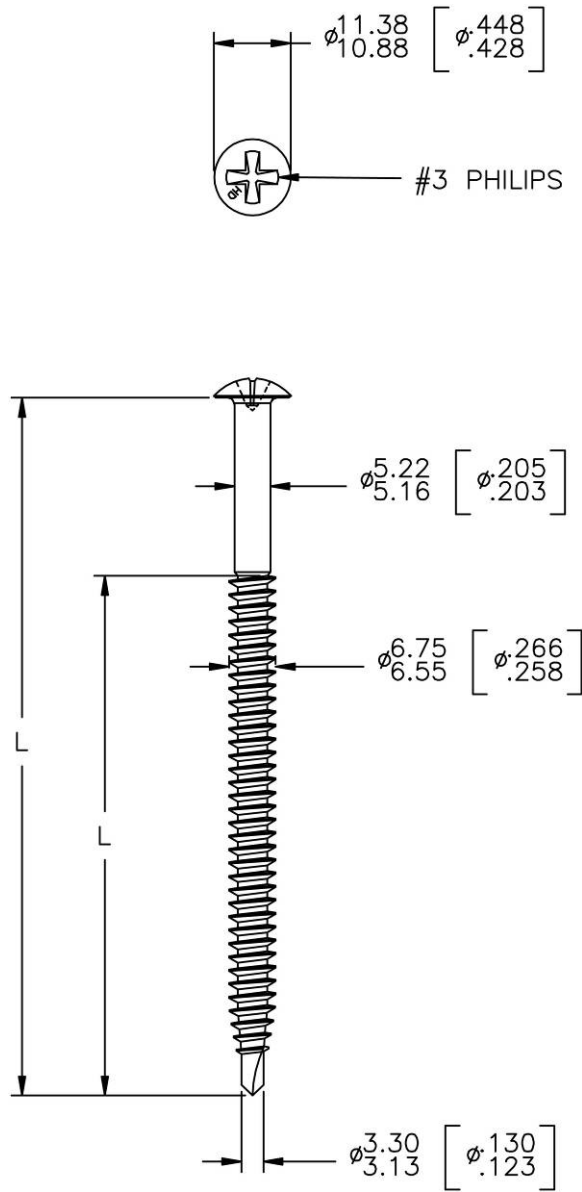
**Annex 28**

Of the European Technical Assessment

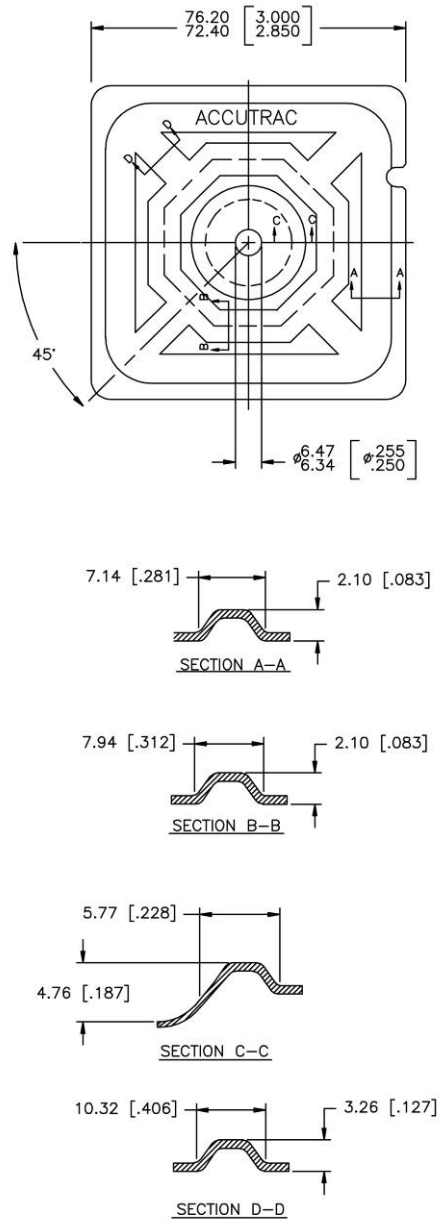
**ETA – 09/0337**

**OMG Flat Roof Fasteners**

**OMG #15 Roofgrip**



**OMG AccuTrac plate**



TOLERANCES TO BE  
METRICS ±.127  
DECIMALS ±.005

**Combination 29**

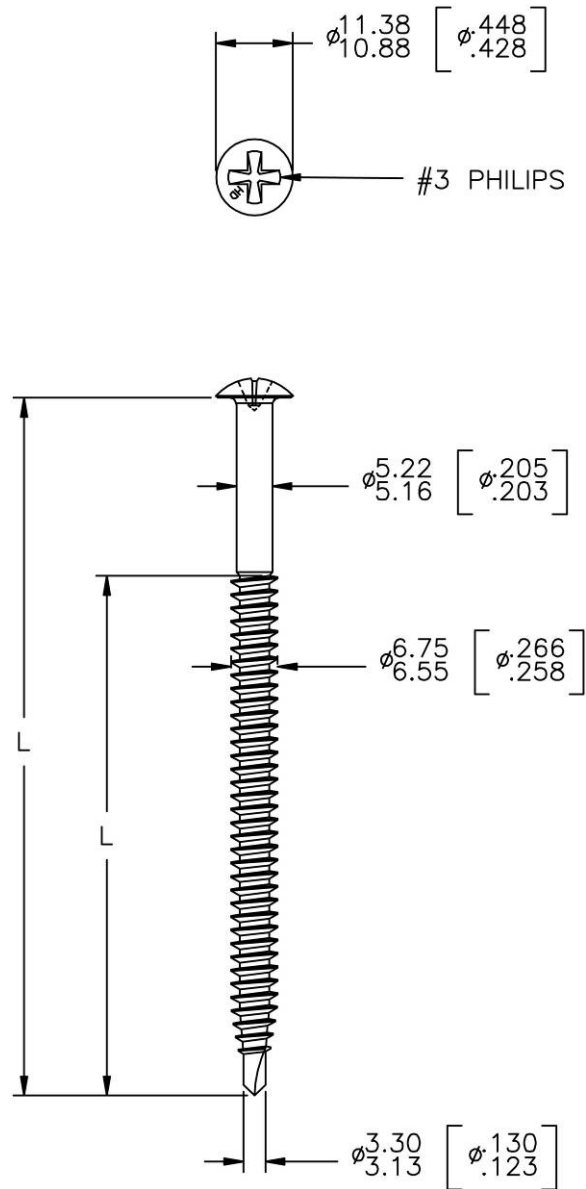
**Annex 29**

Of the European Technical Assessment

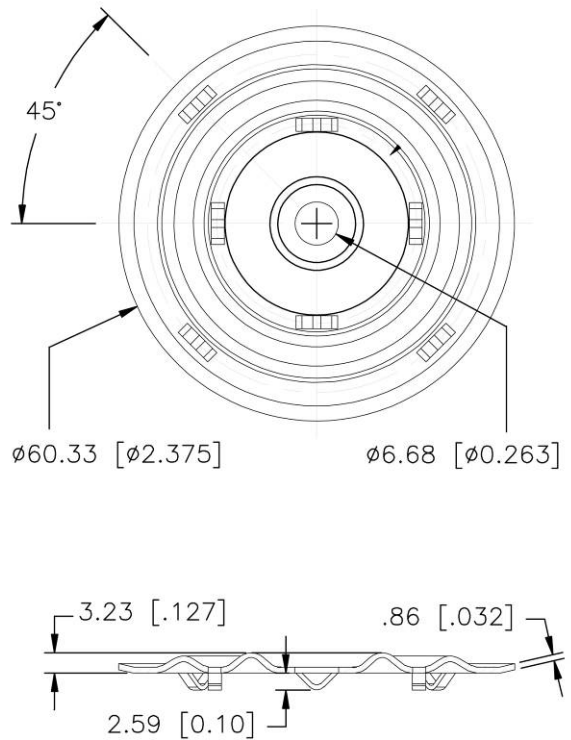
**OMG Flat Roof Fasteners**

**ETA – 09/0337**

**OMG #15 Roofgrip**



**OMG 2 3/8" Eyehook seam plate**



TOLERANCES TO BE  
 METRICS  $\pm .127$   
 DECIMALS  $\pm .005$

**Combination 30**

**Annex 30**

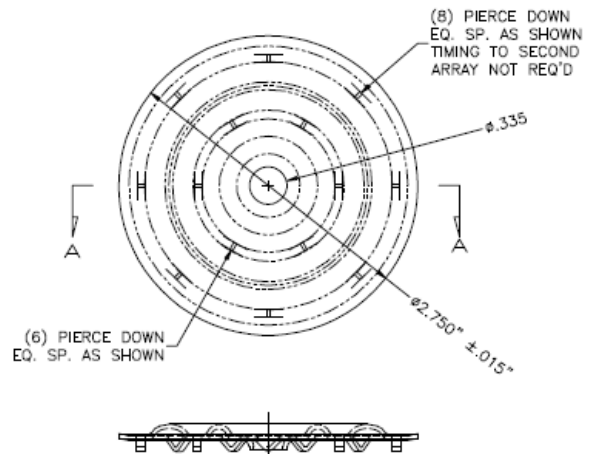
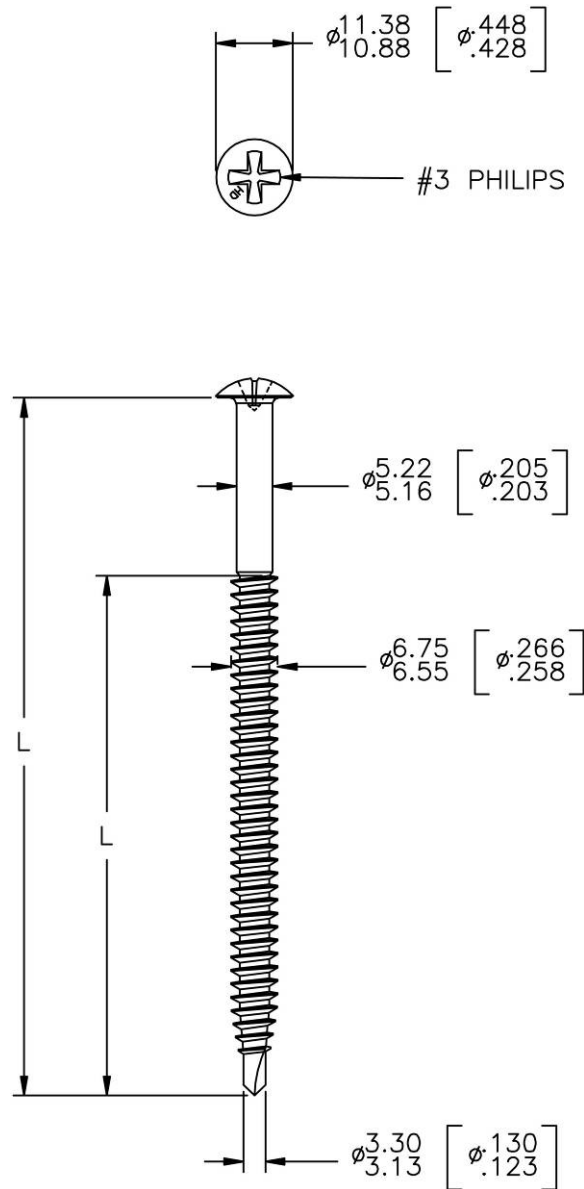
Of the European Technical Assessment

**ETA – 09/0337**

**OMG Flat Roof Fasteners**

**OMG #15 Roofgrip**

**OMG 2 3/4" Eyehook seam plate**



**Combination 31**

**Annex 31**

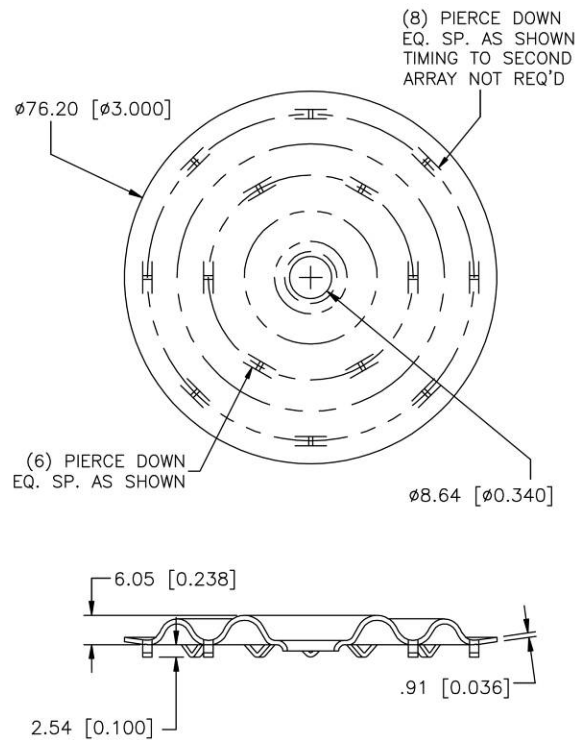
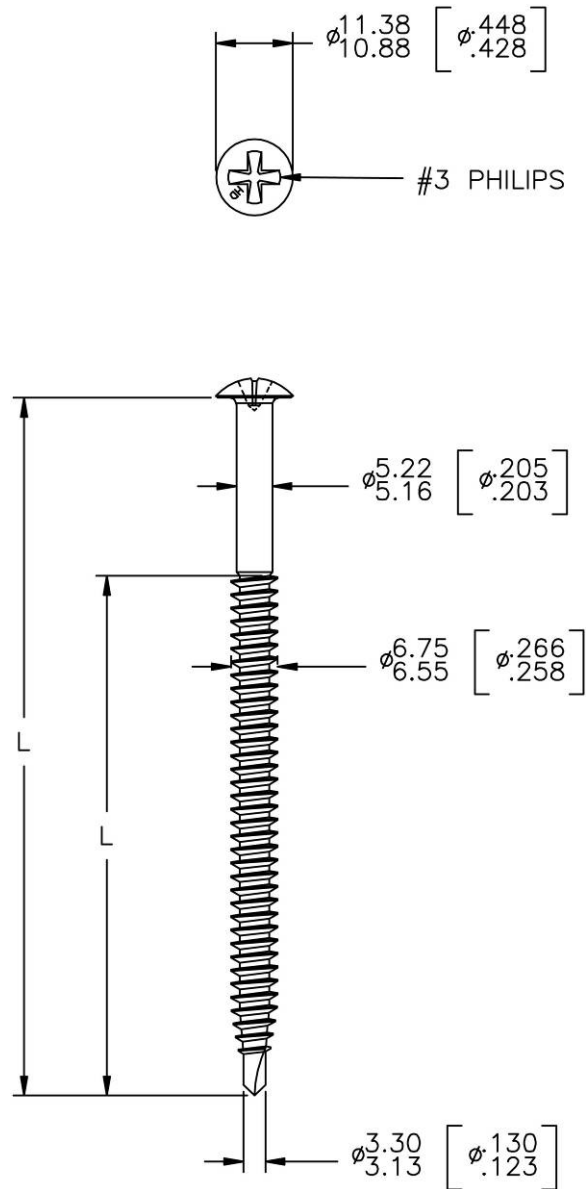
Of the European Technical Assessment

**ETA – 09/0337**

**OMG Flat Roof Fasteners**

**OMG #15 Roofgrip**

**OMG Maxload seam plate**



TOLERANCES TO BE  
METRICS ±.25  
DECIMALS ±.010

**Combination 32**

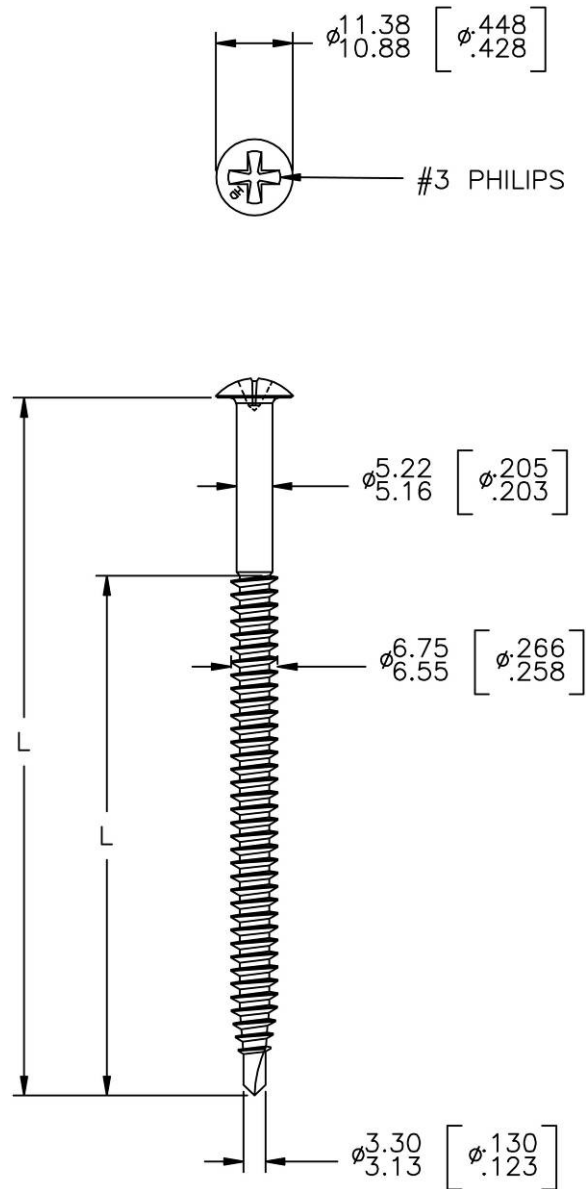
**Annex 32**

Of the European Technical Assessment

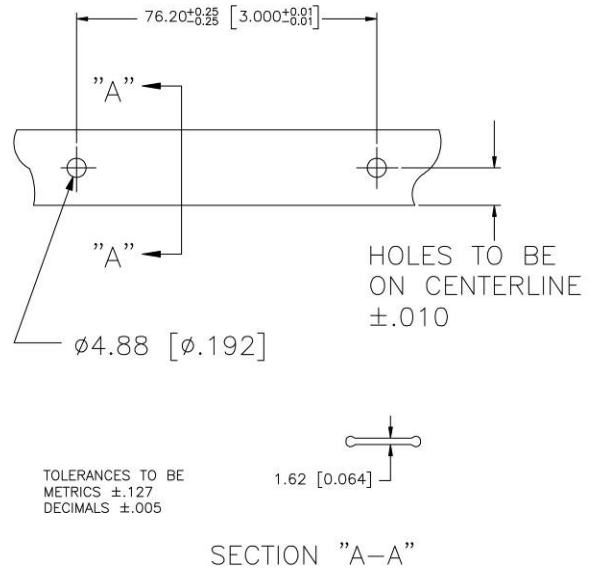
**ETA – 09/0337**

**OMG Flat Roof Fasteners**

**OMG #15 Roofgrip**



**OMG 3/4" polymer batten strip**



**Combination 33**

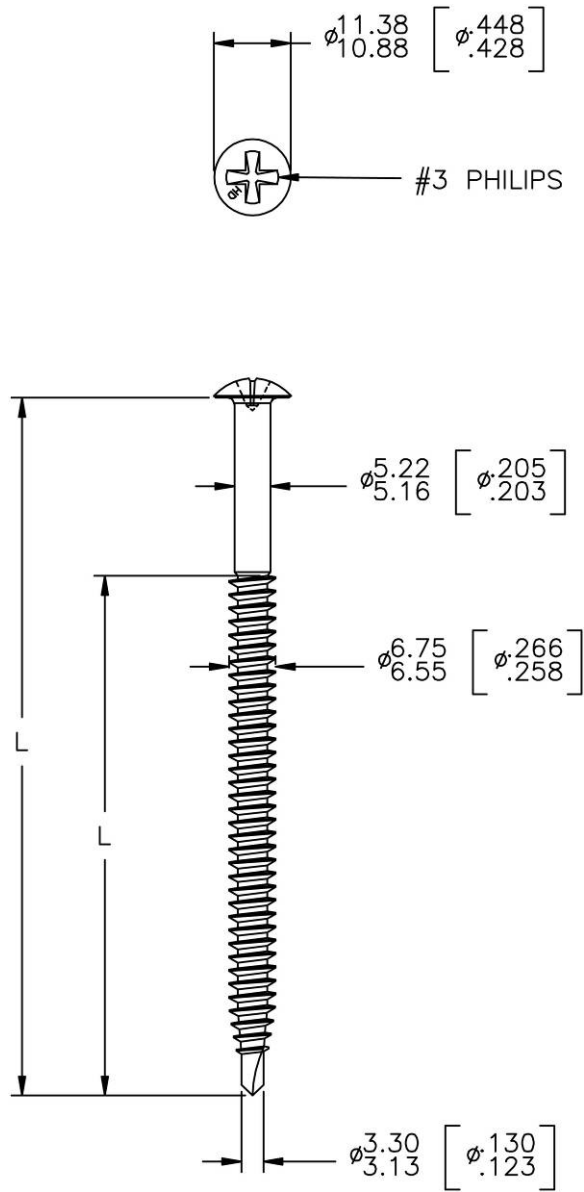
**Annex 33**

Of the European Technical Assessment

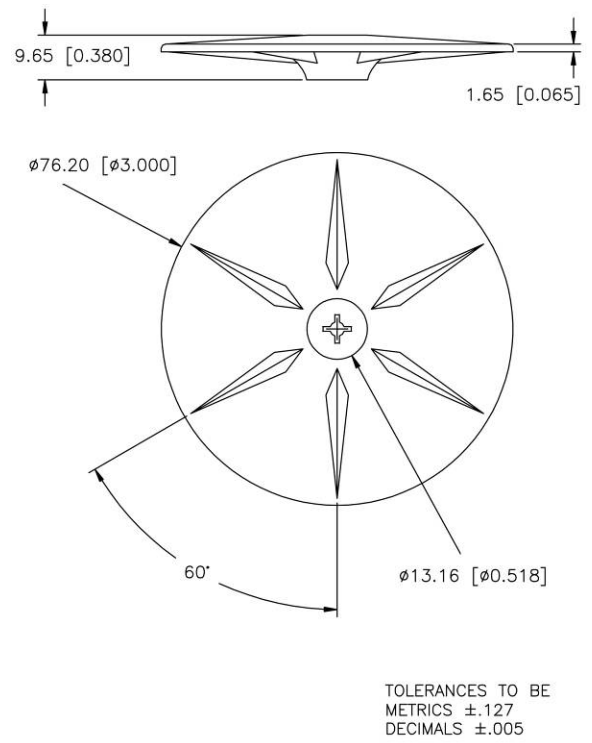
**ETA - 09/0337**

**OMG Flat Roof Fasteners**

**OMG #15 Roofgrip**



**OMG 3" Plastic Insulation Plate**



**Combination 34**

**Annex 34**

Of the European Technical Assessment

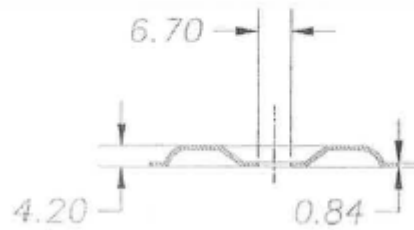
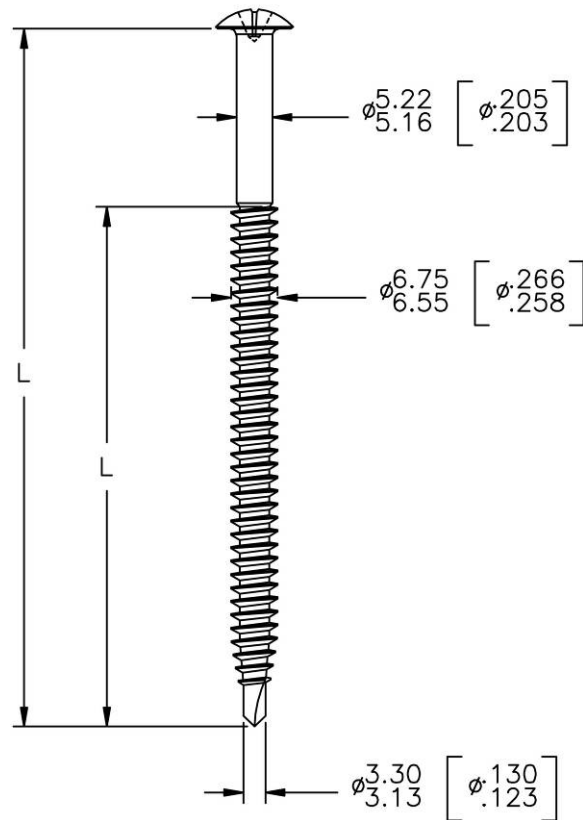
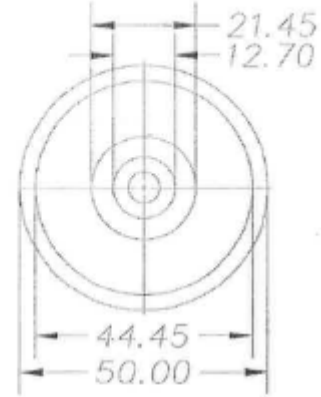
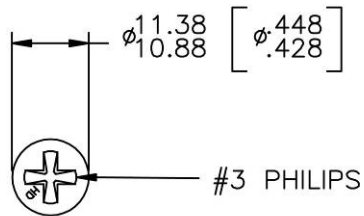
**ETA – 09/0337**

**OMG Flat Roof Fasteners**



**OMG #15 Roofgrip**

**OMG 2" Metal Seam Plate**



**Combination 35**

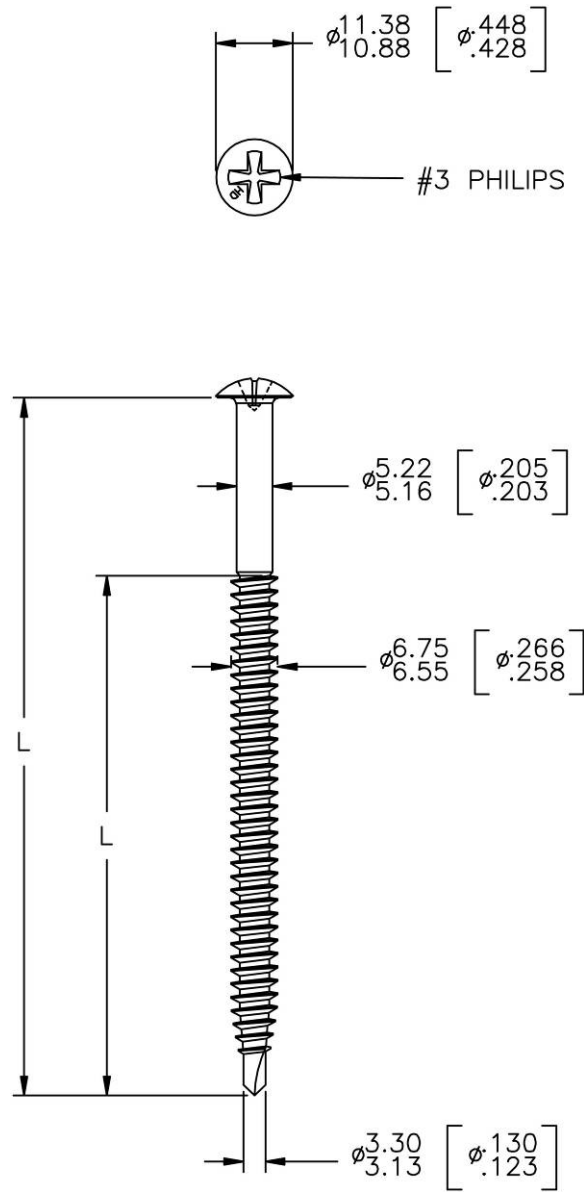
**Annex 35**

Of the European Technical Assessment

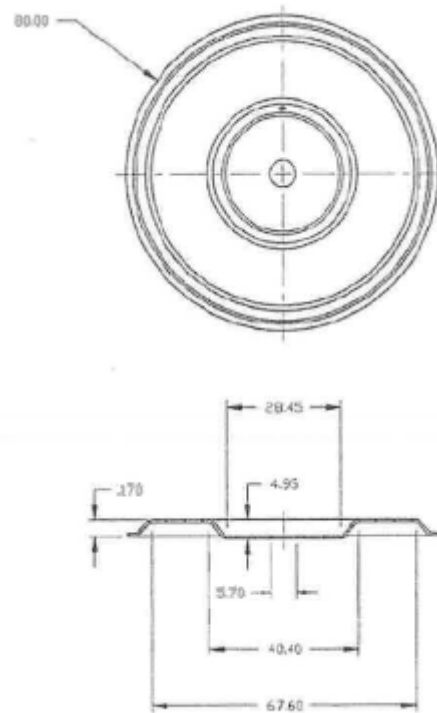
**ETA – 09/0337**

**OMG Flat Roof Fasteners**

**OMG #15 Roofgrip**



**OMG 80mm RhinoBond Insulation Plate**



**Combination 36**

**Annex 36**

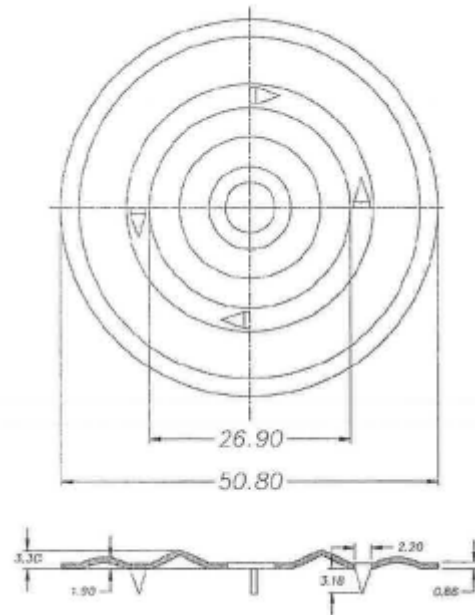
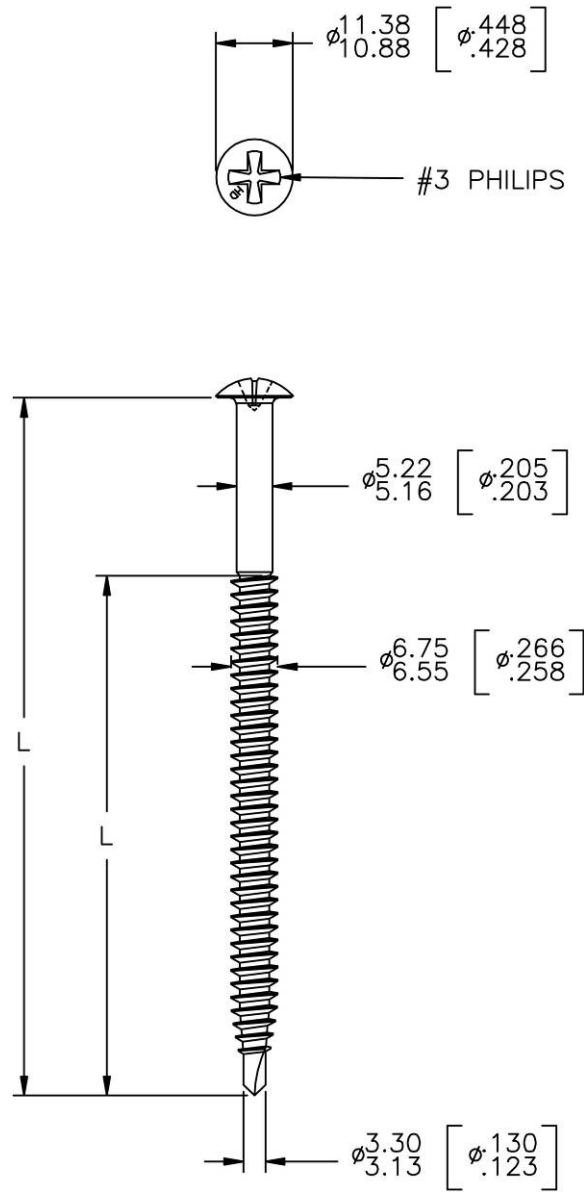
Of the European Technical Assessment

**ETA – 09/0337**

**OMG Flat Roof Fasteners**

**OMG #15 Roofgrip**

**OMG 2" Metal Barbed Seam Plate**



**Combination 37**

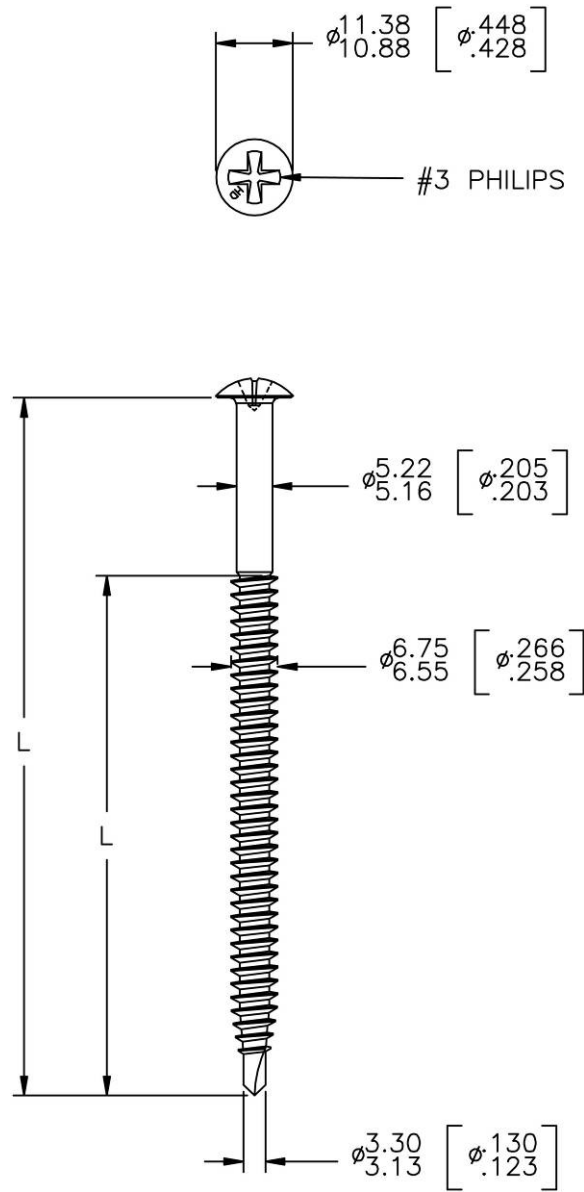
**Annex 37**

Of the European Technical Assessment

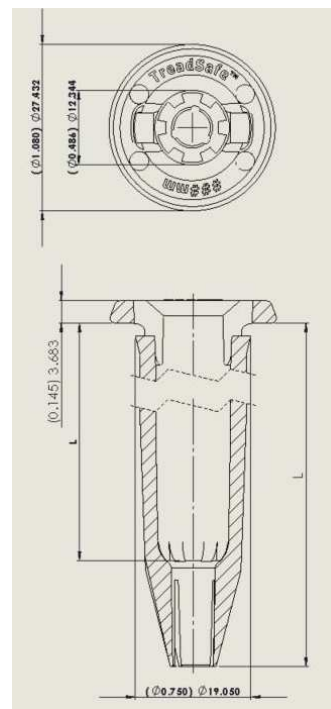
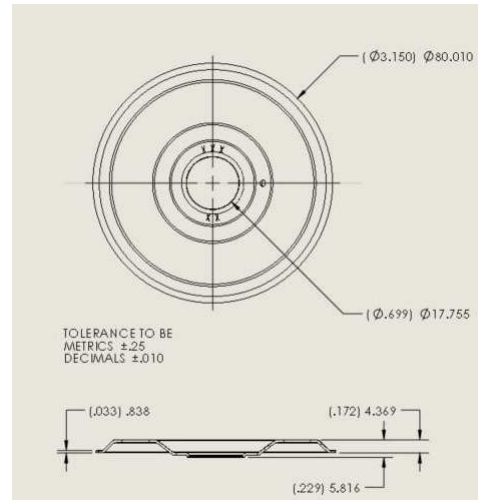
**ETA – 09/0337**

**OMG Flat Roof Fasteners**

**OMG #15 Roofgrip**



**OMG RhinoBond Treadsafe Plate with Treadsafe plastic insert tube**



**Combination 38**

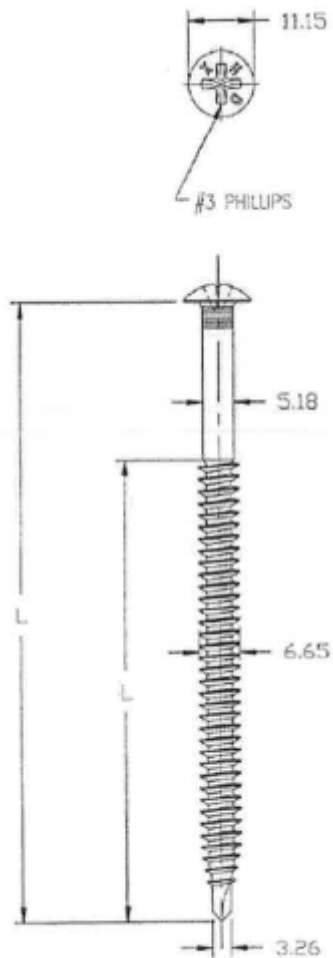
**Annex 38**

Of the European Technical Assessment

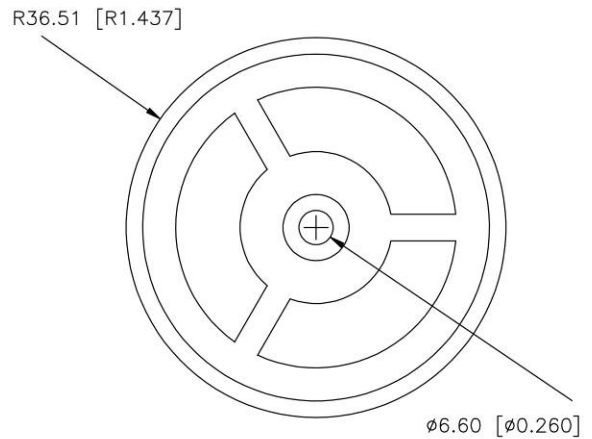
**ETA – 09/0337**

**OMG Flat Roof Fasteners**

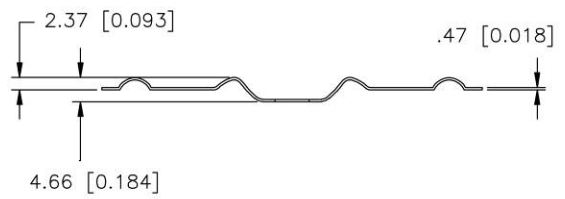
**OMG XHD**



**OMG 3'' Ribbed Galvalume Insulation Plate**



TOLERANCES TO BE  
METRICS ±.25  
DECIMALS ±.010



**Combination 39**

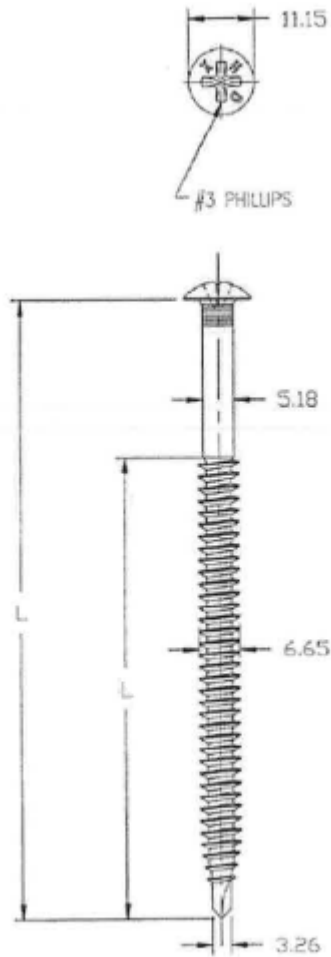
**Annex 39**

Of the European Technical Assessment

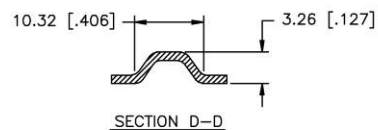
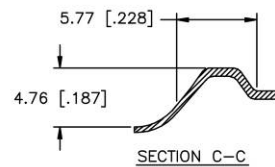
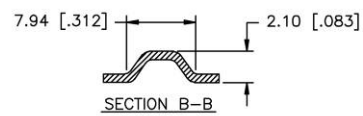
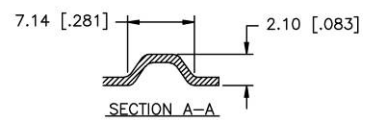
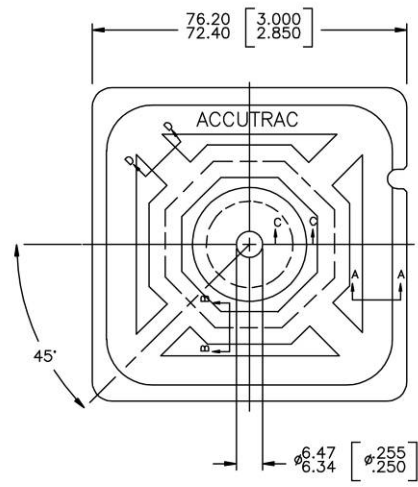
**ETA – 09/0337**

**OMG Flat Roof Fasteners**

**OMG XHD**



**OMG 3" AccuTrac plate**



TOLERANCES TO BE  
 METRICS ±.127  
 DECIMALS ±.005

**Combination 40**

**Annex 40**

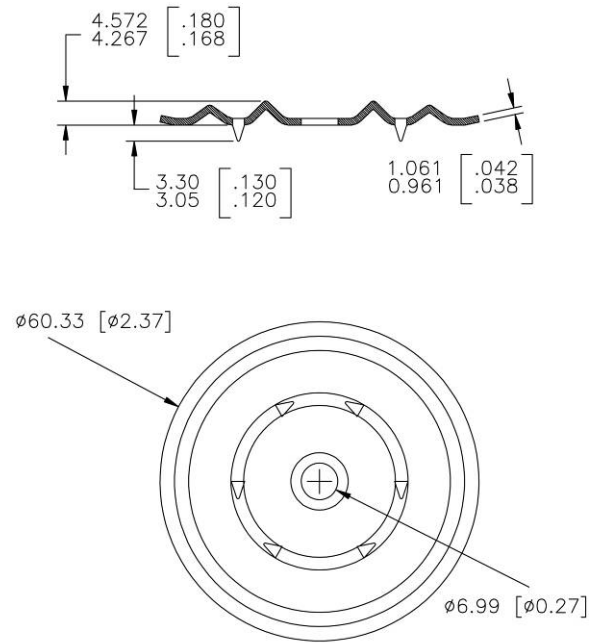
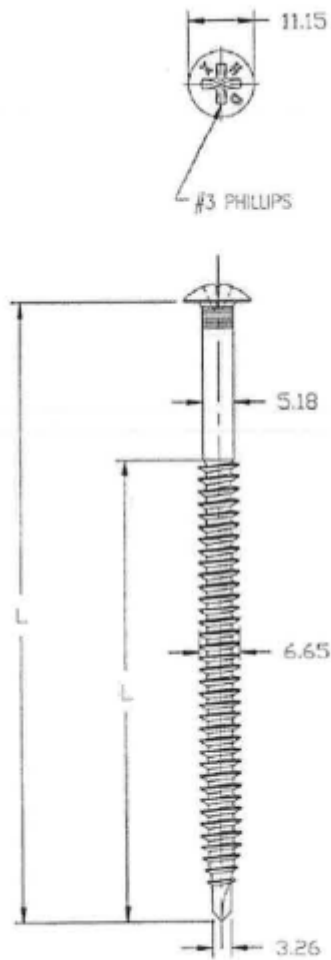
Of the European Technical Assessment

**ETA – 09/0337**

**OMG Flat Roof Fasteners**

**OMG XHD**

**OMG XHD Barbed Stress Plate**



TOLERANCES TO BE  
 METRICS ±.127  
 DECIMALS ±.005

**Combination 41**

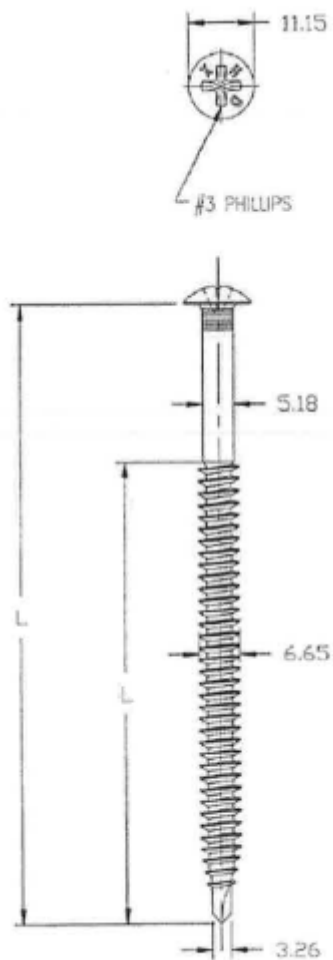
**Annex 41**

Of the European Technical Assessment

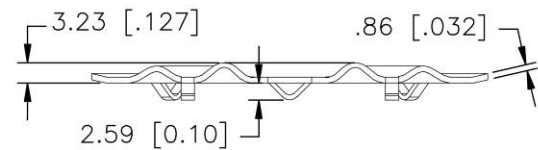
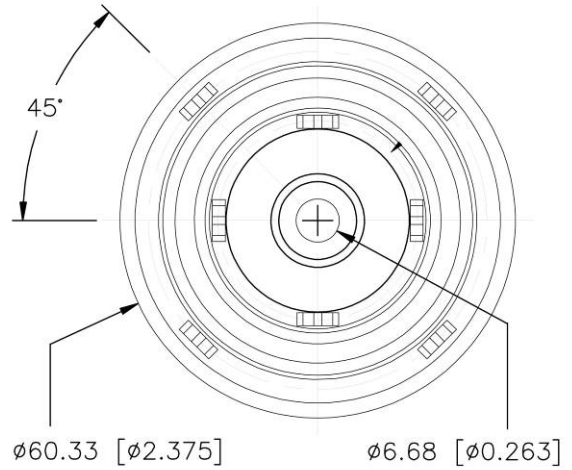
**ETA – 09/0337**

**OMG Flat Roof Fasteners**

**OMG XHD**



**OMG 2 3/8" Eyehook seam plate**



TOLERANCES TO BE  
 METRICS ±.127  
 DECIMALS ±.005

**Combination 42**

**Annex 42**

Of the European Technical Assessment

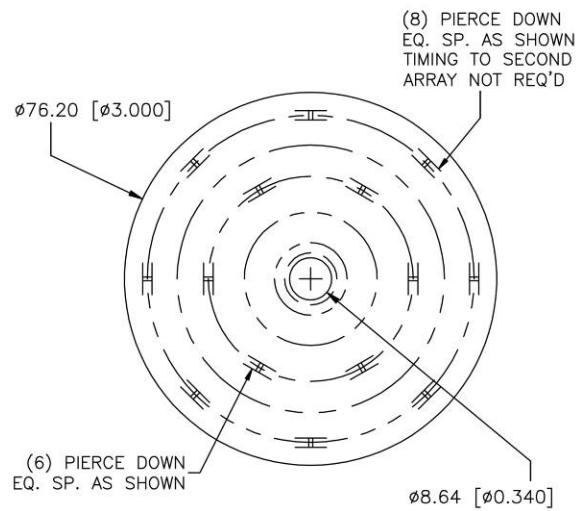
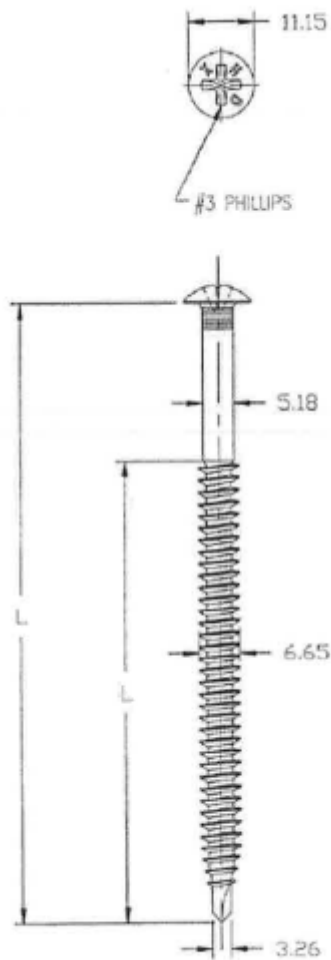
**ETA – 09/0337**

**OMG Flat Roof Fasteners**



**OMG XHD**

**OMG Maxload seam plate**



TOLERANCES TO BE  
METRICS ±.25  
DECIMALS ±.010

**Combination 43**

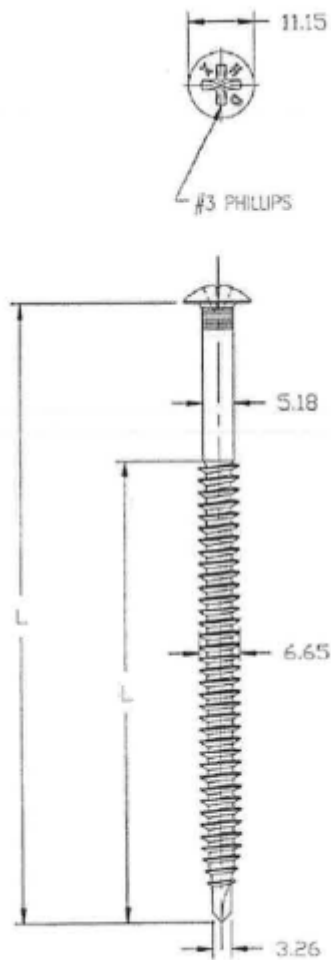
**Annex 43**

Of the European Technical Assessment

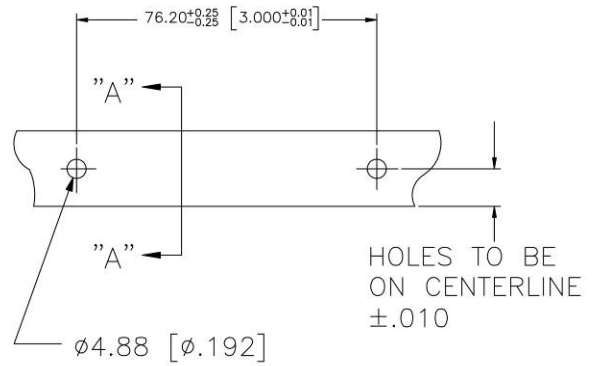
**ETA – 09/0337**

**OMG Flat Roof Fasteners**

**OMG XHD**



**OMG 3/4" polymer batten strip**



TOLERANCES TO BE  
METRICS ±.127  
DECIMALS ±.005



SECTION "A-A"

**Combination 44**

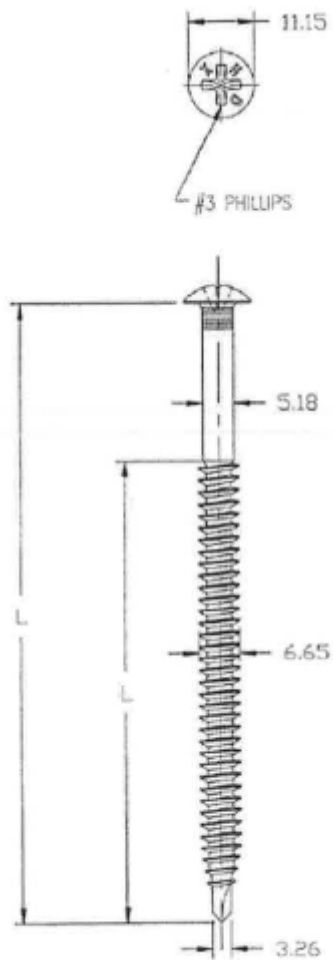
**Annex 44**

Of the European Technical Assessment

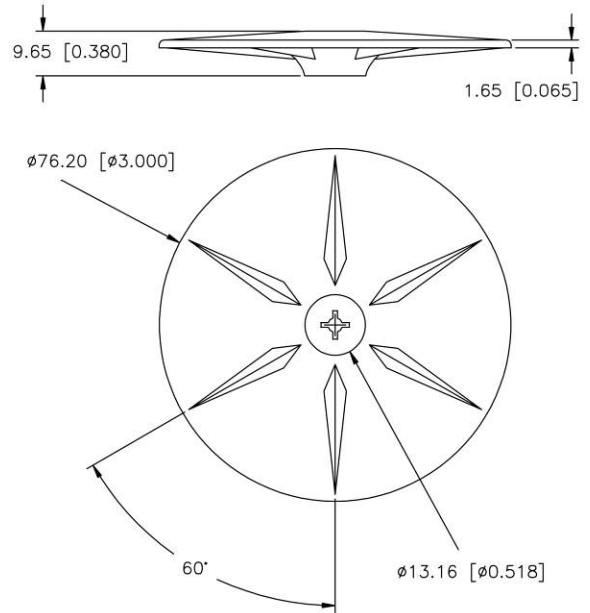
**ETA – 09/0337**

**OMG Flat Roof Fasteners**

**OMG XHD**



**OMG 3" Plastic Insulation Plate**



TOLERANCES TO BE  
METRICS ±.127  
DECIMALS ±.005

**Combination 45**

**Annex 45**

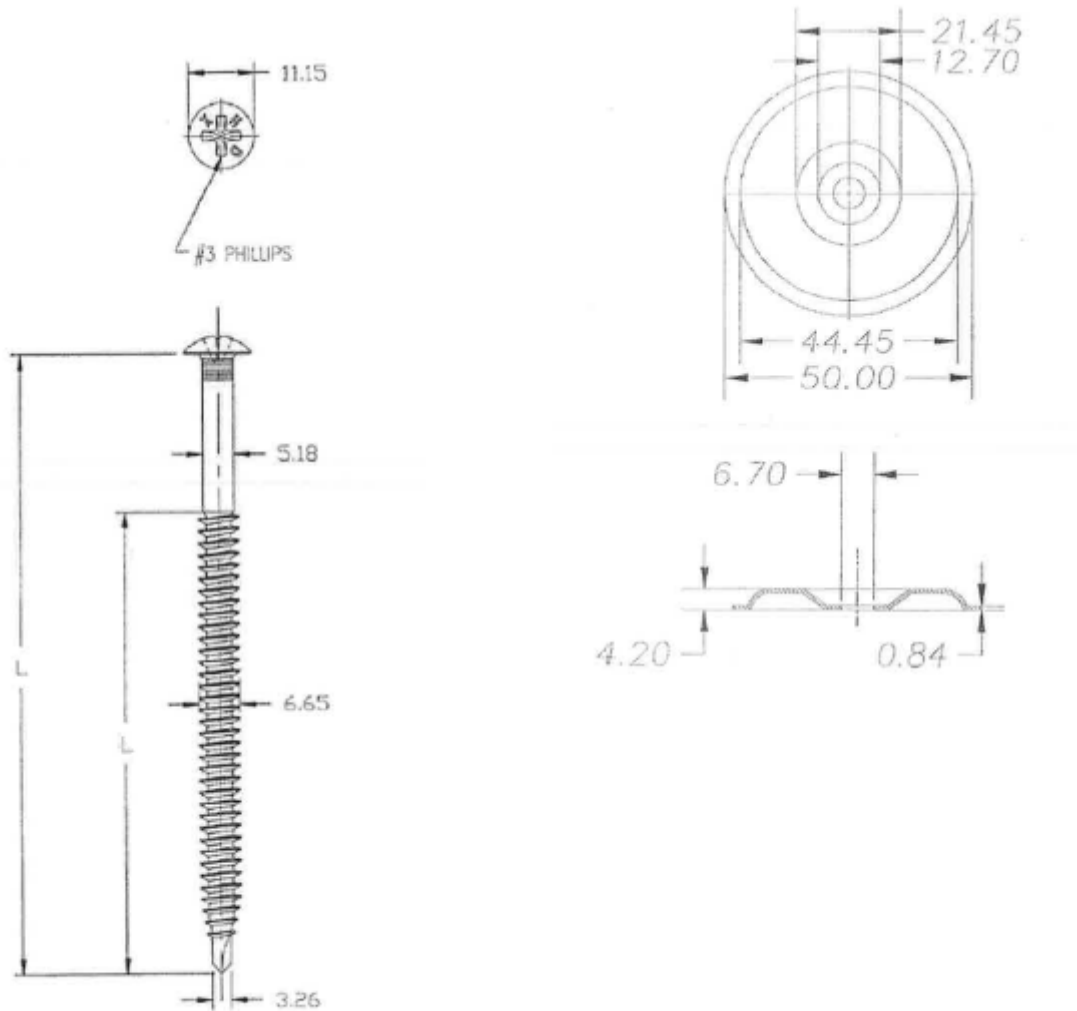
Of the European Technical Assessment

**ETA – 09/0337**

**OMG Flat Roof Fasteners**

**OMG XHD**

**OMG 2" Metal Seam Plate**



**Combination 46**

**Annex 46**

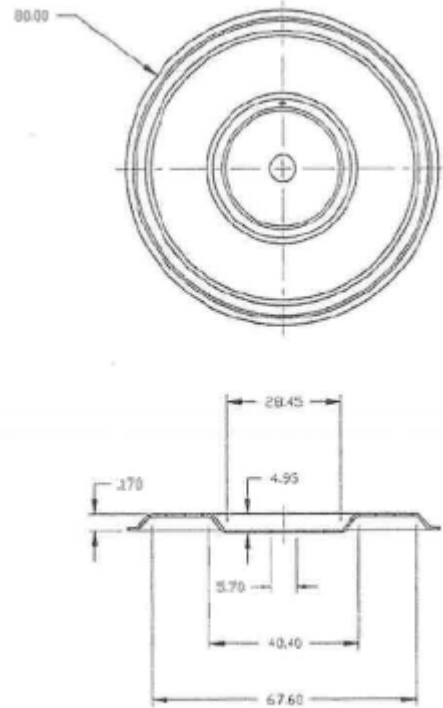
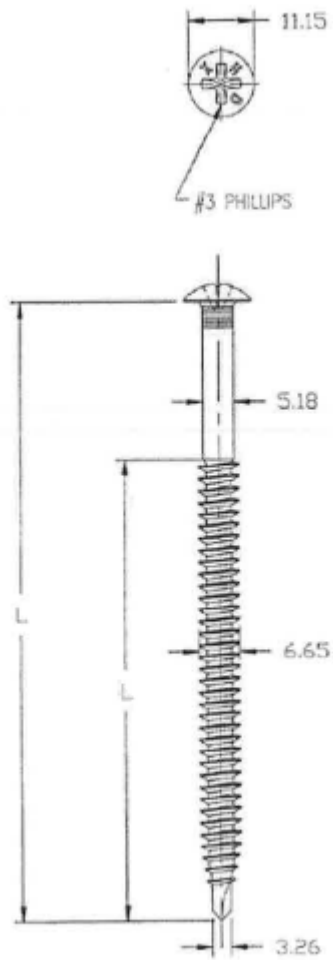
Of the European Technical Assessment

**ETA – 09/0337**

**OMG Flat Roof Fasteners**

**OMG XHD**

**OMG 80mm RhinoBond Insulation Plate**



**Combination 47**

**Annex 47**

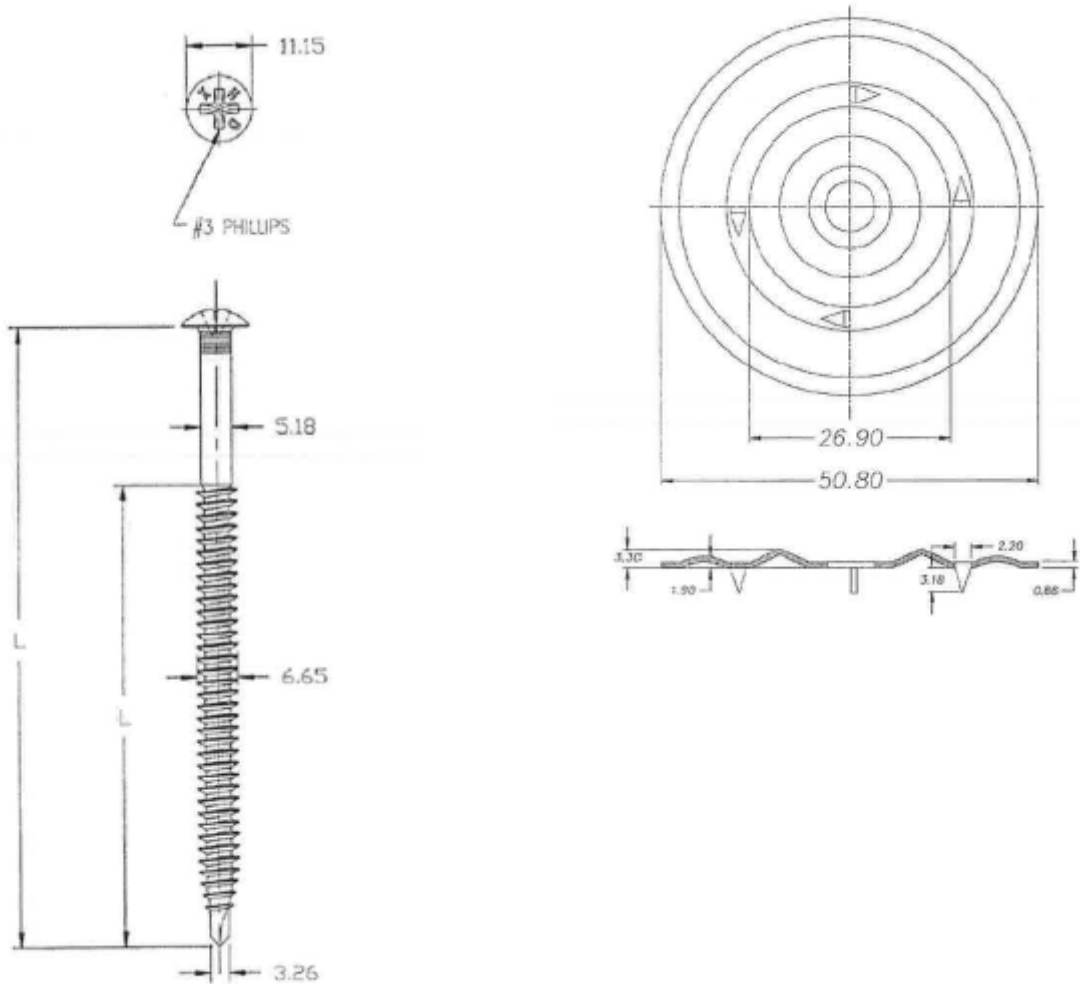
Of the European Technical Assessment

**ETA – 09/0337**

**OMG Flat Roof Fasteners**

**OMG XHD**

**OMG 2" Metal Barbed Seam Plate**



**Combination 48**

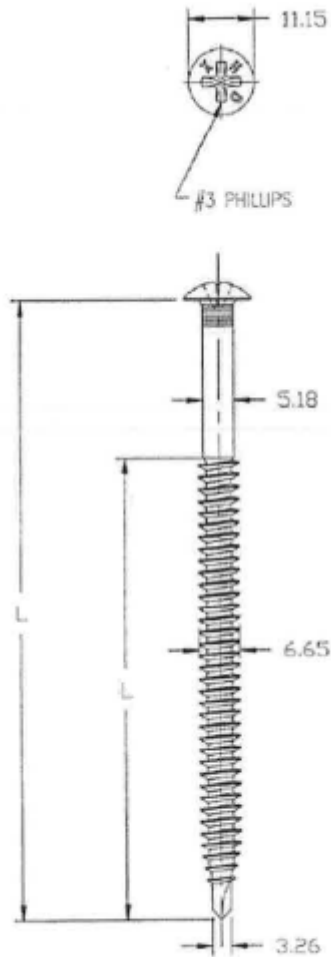
**Annex 48**

Of the European Technical Assessment

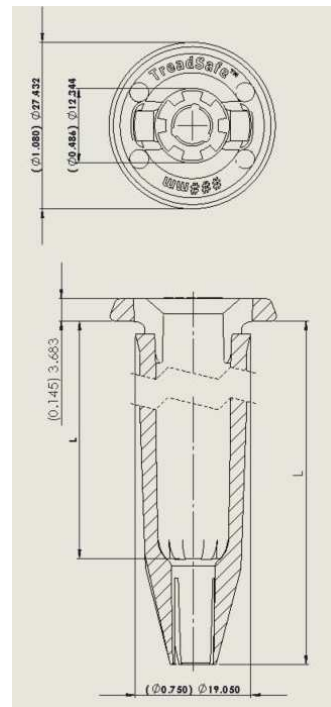
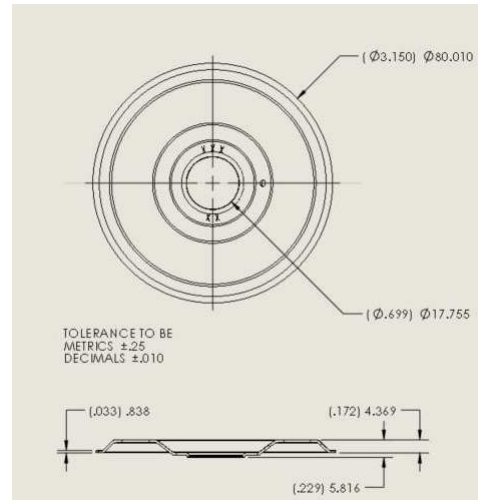
**ETA – 09/0337**

**OMG Flat Roof Fasteners**

**OMG XHD**



**OMG RhinoBond Treadsafe Plate with Treadsafe plastic insert tube**



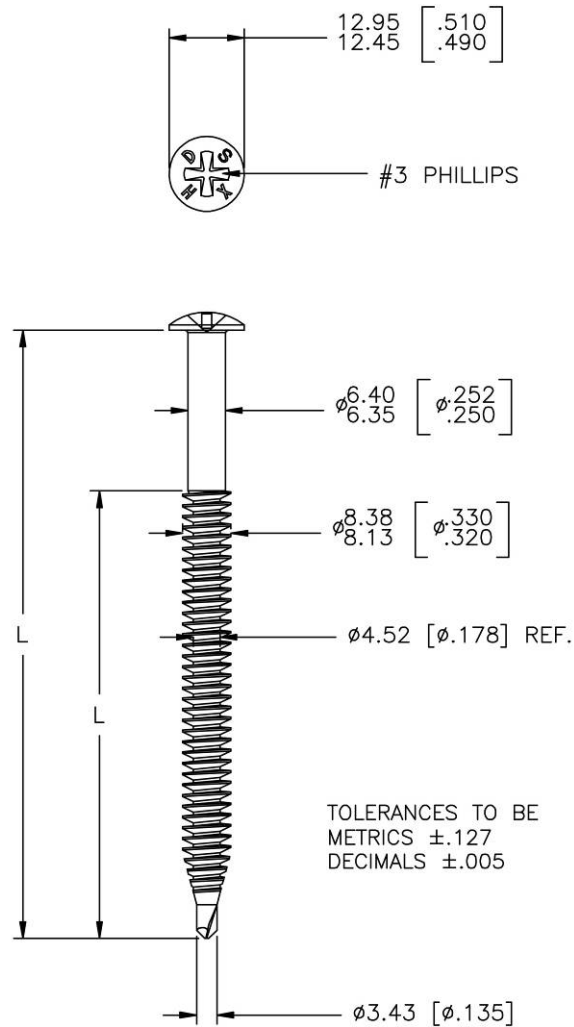
**Combination 49**

**Annex 49**

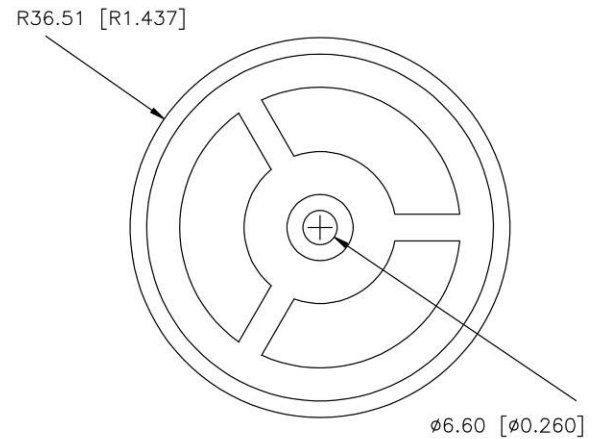
Of the European Technical Assessment  
**ETA – 09/0337**

**OMG Flat Roof Fasteners**

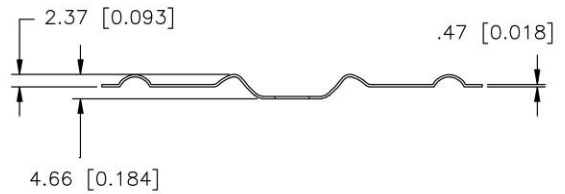
**OMG Super XHD**



**OMG 3" Ribbed Galvalume Insulation Plate**



TOLERANCES TO BE METRICS  $\pm$ .25  
DECIMALS  $\pm$ .010



**Combination 50**

**Annex 50**

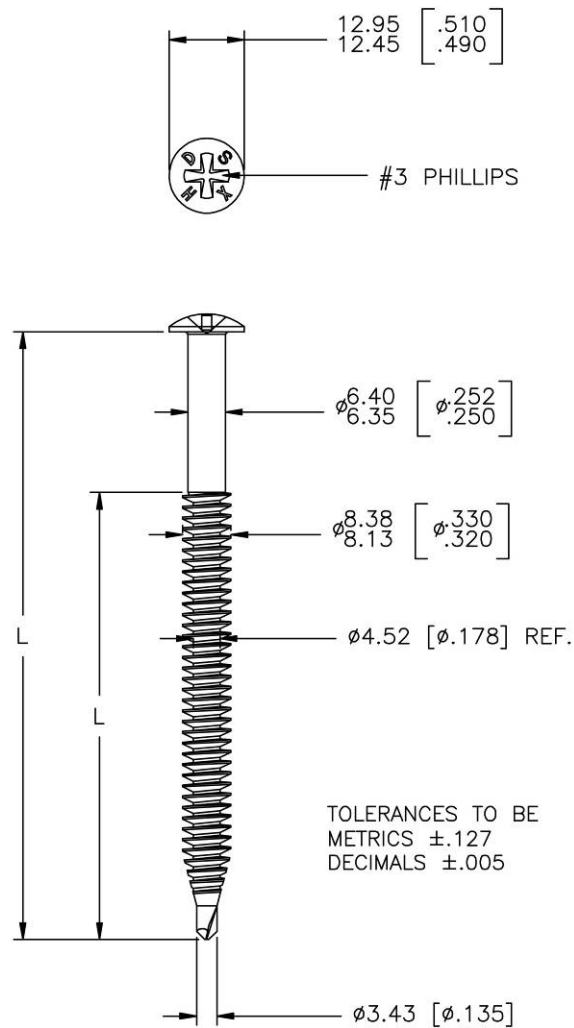
Of the European Technical Assessment

**ETA – 09/0337**

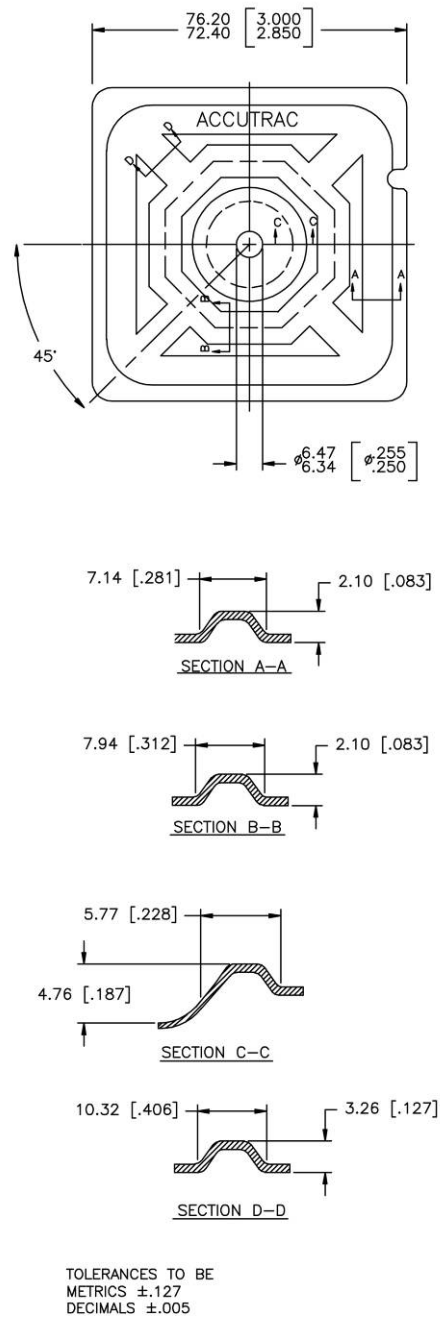
**OMG Flat Roof Fasteners**



**OMG Super XHD**



**OMG 3" AccuTrac plate**



**Combination 51**

**Annex 51**

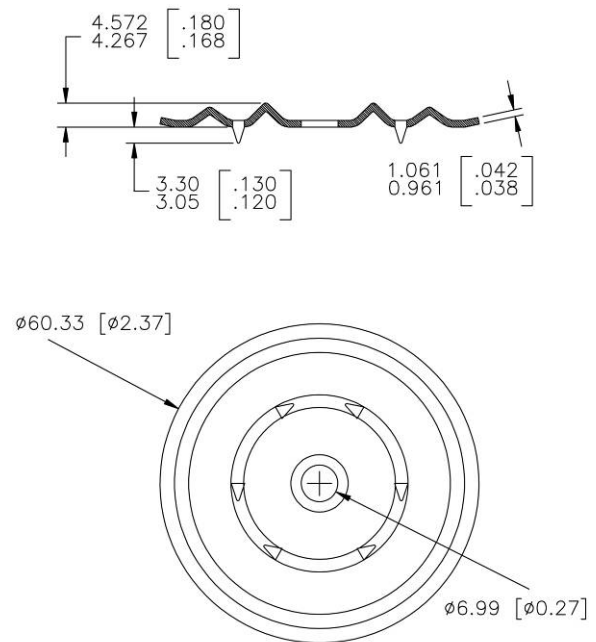
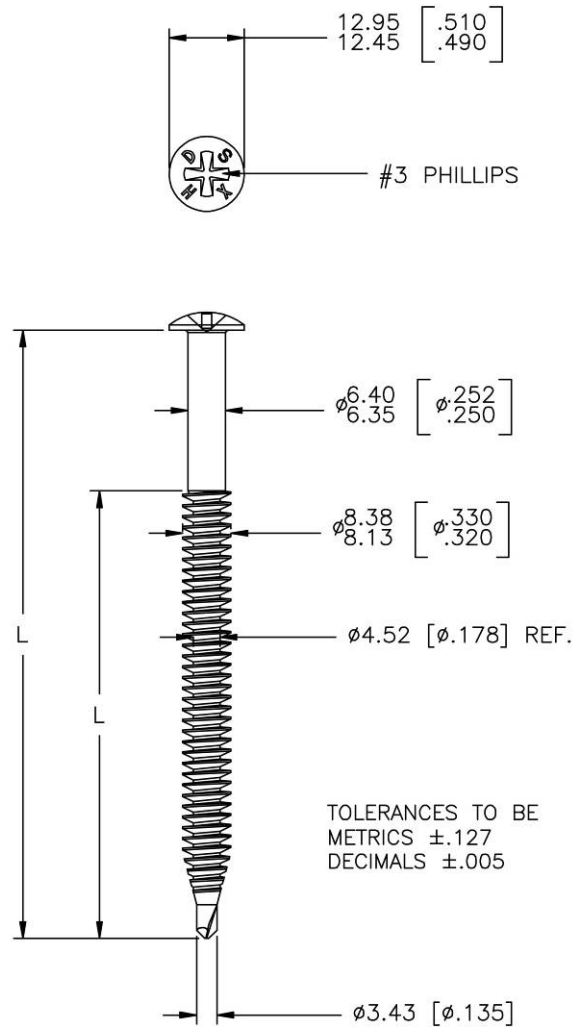
Of the European Technical Assessment

**ETA - 09/0337**

**OMG Flat Roof Fasteners**

**OMG Super XHD**

**OMG XHD barbed stress plate**



**Combination 52**

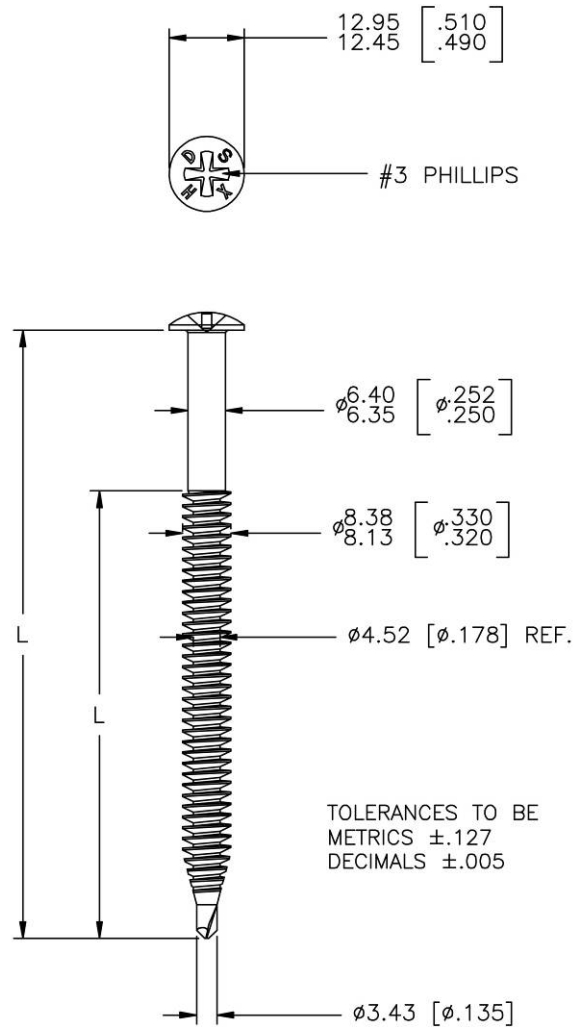
**Annex 52**

Of the European Technical Assessment

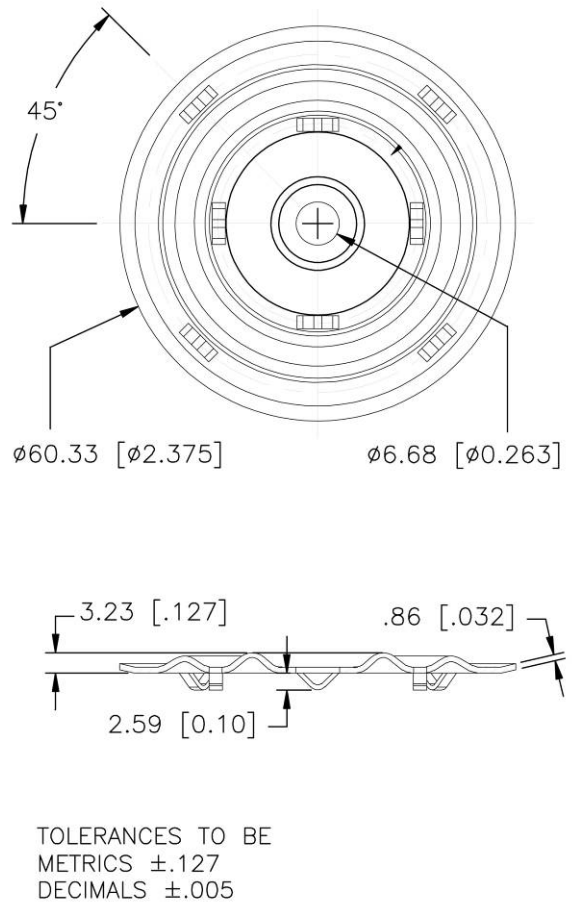
**ETA – 09/0337**

**OMG Flat Roof Fasteners**

**OMG Super XHD**



**OMG 2 3/8" Eyehook seam plate**



**Combination 53**

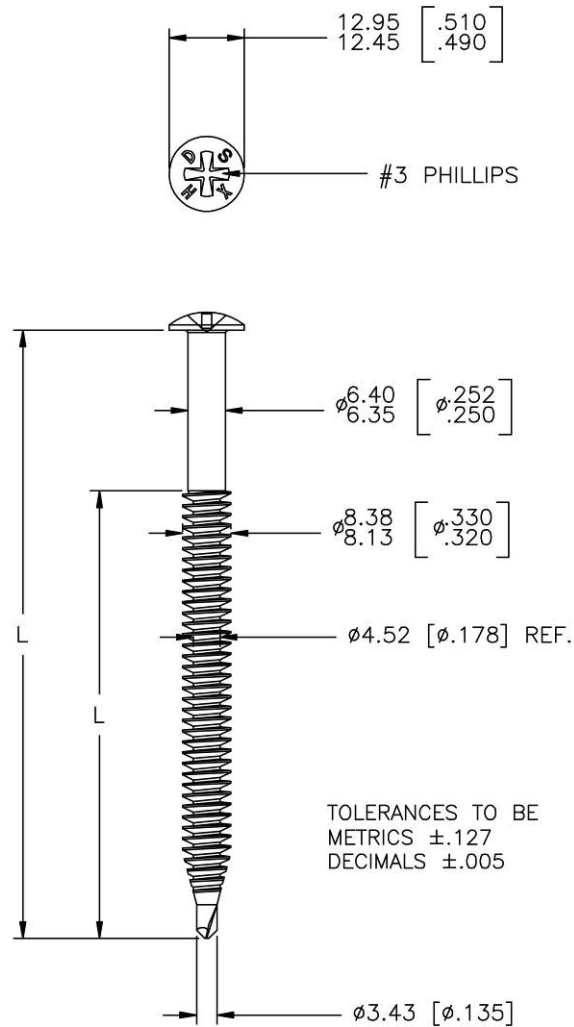
**Annex 53**

Of the European Technical Assessment

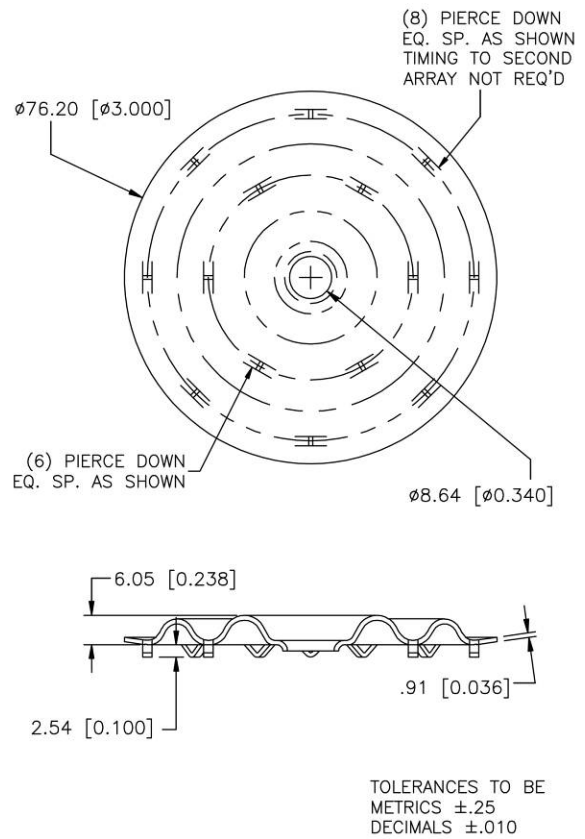
**ETA – 09/0337**

**OMG Flat Roof Fasteners**

**OMG Super XHD**



**OMG Maxload seam plate**



**Combination 54**

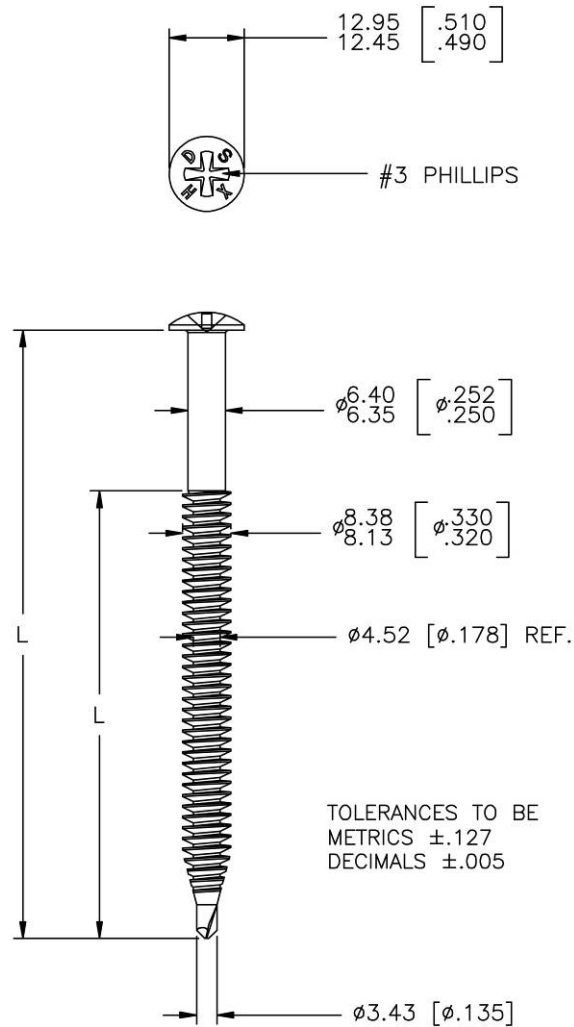
**Annex 54**

Of the European Technical Assessment

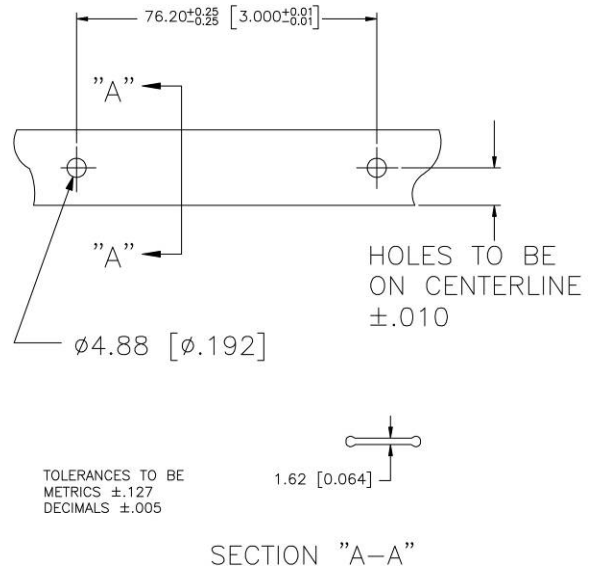
**ETA – 09/0337**

**OMG Flat Roof Fasteners**

**OMG Super XHD**



**OMG 3/4" polymer batten strip**



**Combination 55**

**Annex 55**

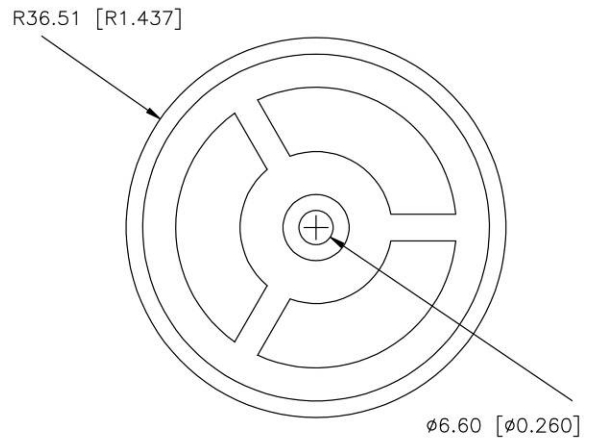
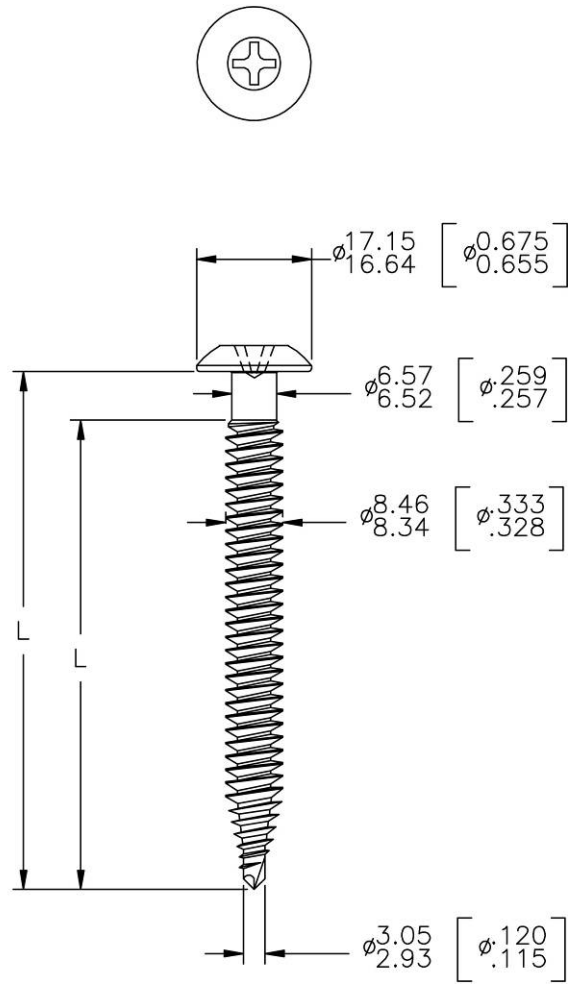
Of the European Technical Assessment

**ETA – 09/0337**

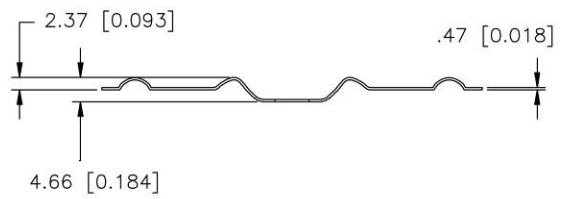
**OMG Flat Roof Fasteners**

**OMG Maxload**

**OMG 3" Ribbed Galvalume Insulation Plate**



TOLERANCES TO BE  
METRICS  $\pm .25$   
DECIMALS  $\pm .010$



**Combination 56**

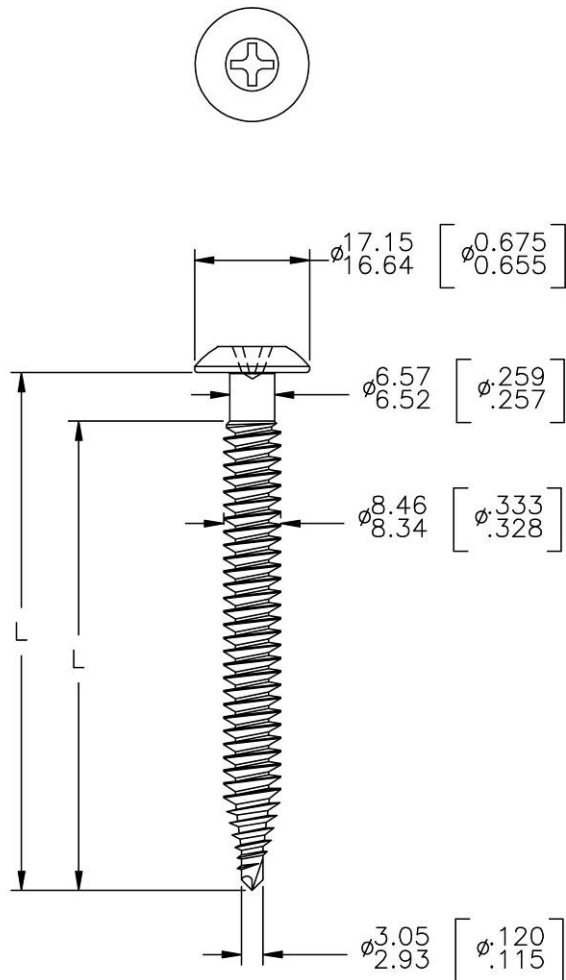
**Annex 56**

Of the European Technical Assessment

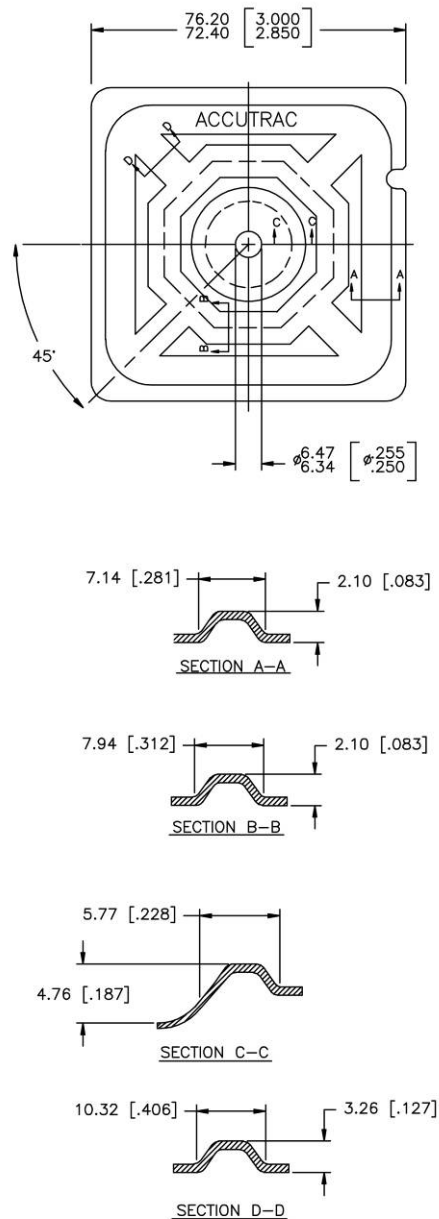
**ETA – 09/0337**

**OMG Flat Roof Fasteners**

**OMG Maxload**



**OMG 3" AccuTrac plate**



TOLERANCES TO BE  
METRICS  $\pm .127$   
DECIMALS  $\pm .005$

**Combination 57**

**Annex 57**

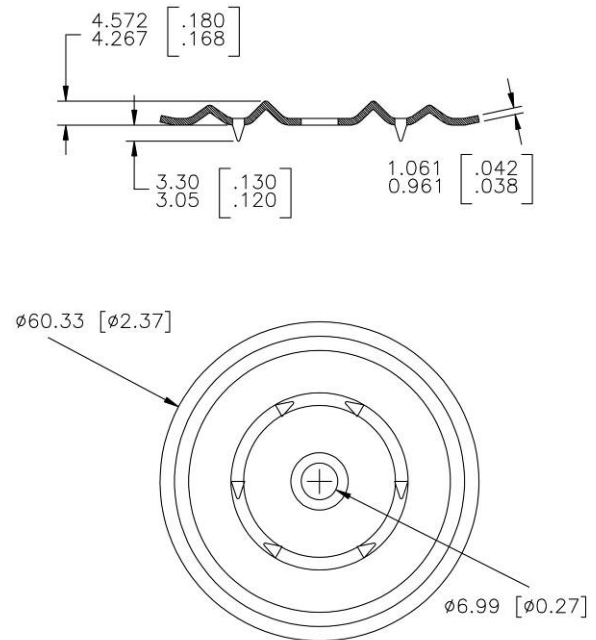
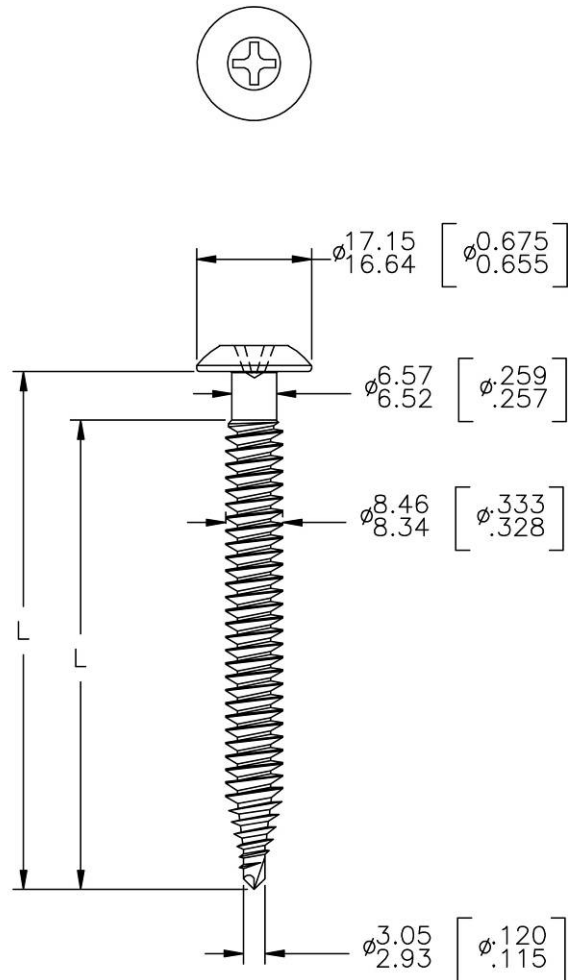
Of the European Technical Assessment

**ETA – 09/0337**

**OMG Flat Roof Fasteners**

**OMG Maxload**

**OMG XHD barbed stress plate**



TOLERANCES TO BE  
 METRICS  $\pm .127$   
 DECIMALS  $\pm .005$

**Combination 58**

**Annex 58**

Of the European Technical Assessment

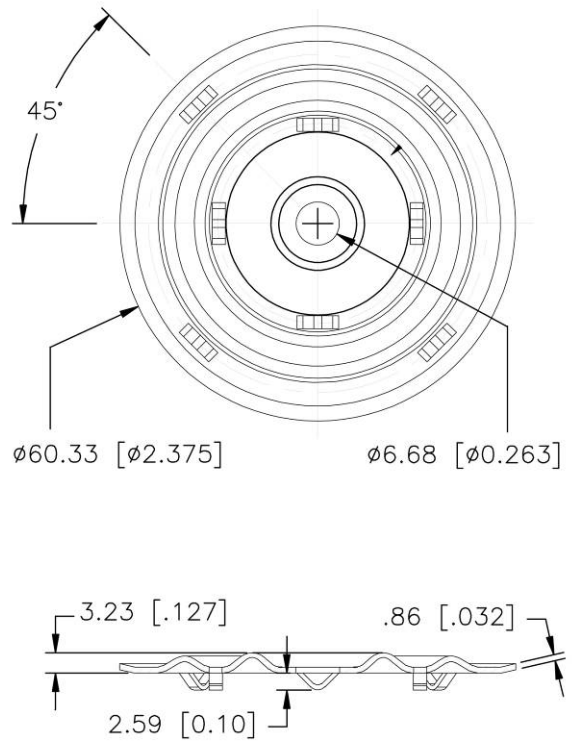
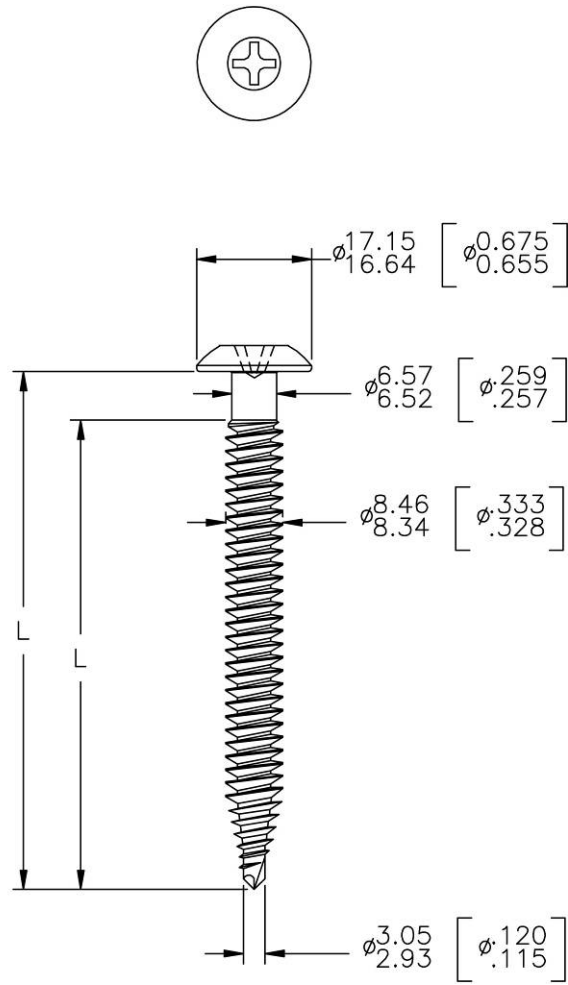
**ETA – 09/0337**

**OMG Flat Roof Fasteners**



**OMG Maxload**

**OMG 2 3/8" Eyehook seam plate**



TOLERANCES TO BE  
 METRICS ±.127  
 DECIMALS ±.005

**Combination 59**

**Annex 59**

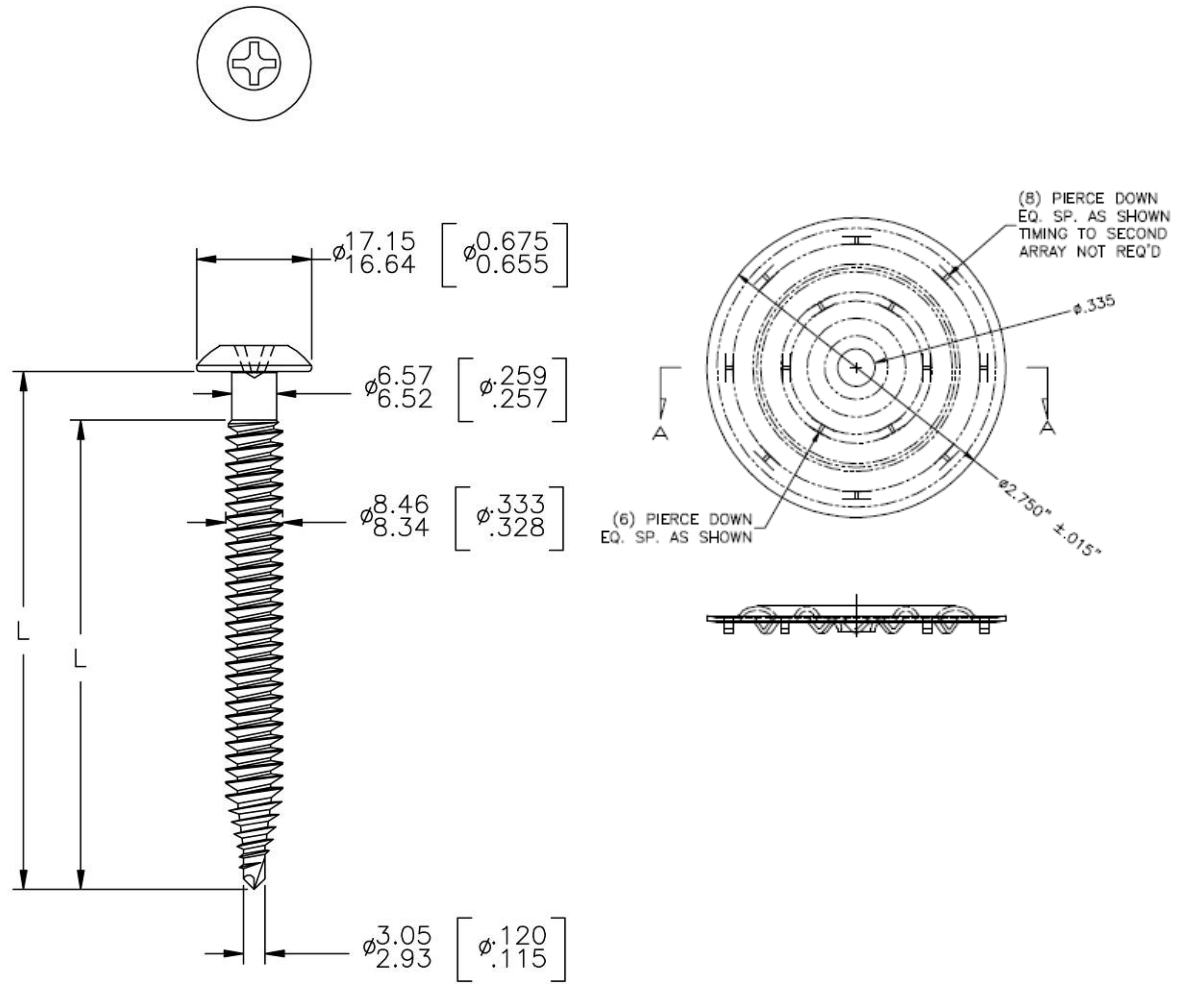
Of the European Technical Assessment

**ETA – 09/0337**

**OMG Flat Roof Fasteners**

**OMG Maxload**

**OMG 2 3/4" Eyehook seam plate**



**Combination 60**

**Annex 60**

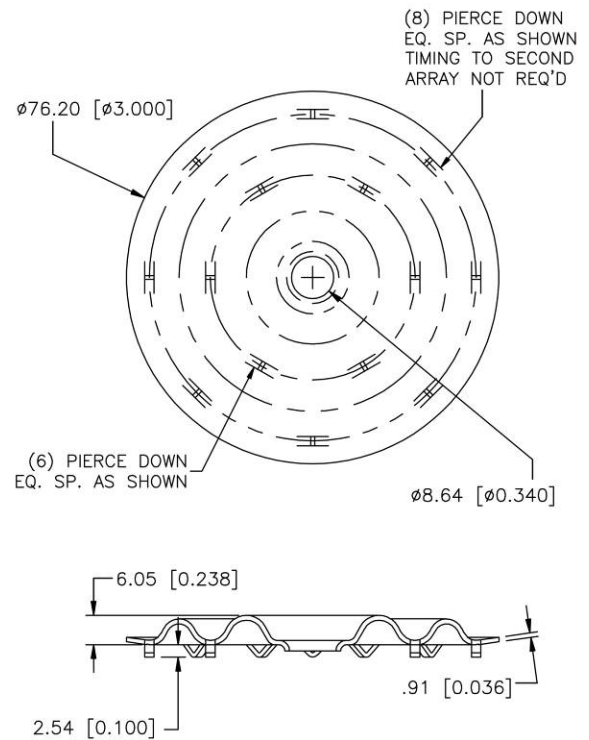
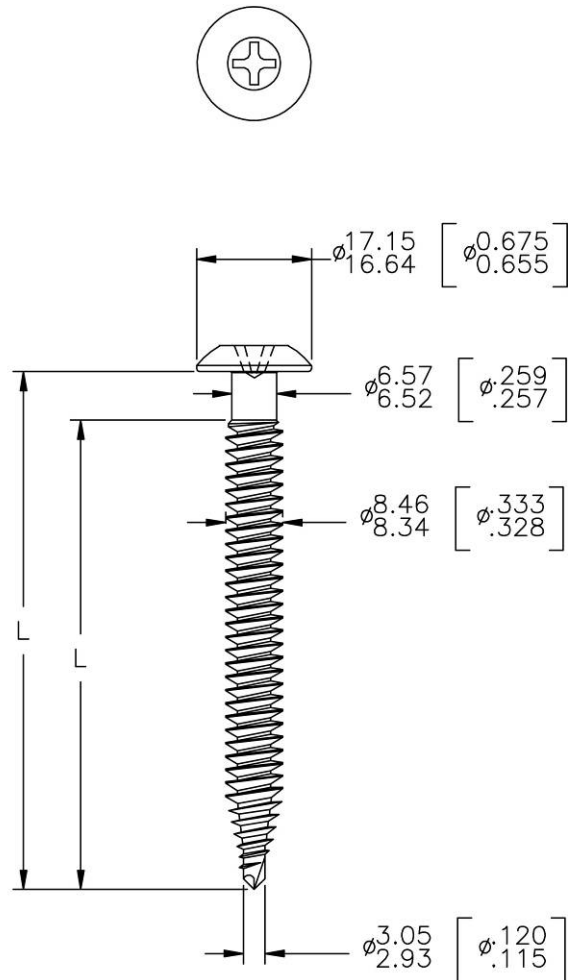
Of the European Technical Assessment

**ETA – 09/0337**

**OMG Flat Roof Fasteners**

**OMG Maxload**

**OMG Maxload seam plate**



TOLERANCES TO BE  
METRICS  $\pm .25$   
DECIMALS  $\pm .010$

**Combination 61**

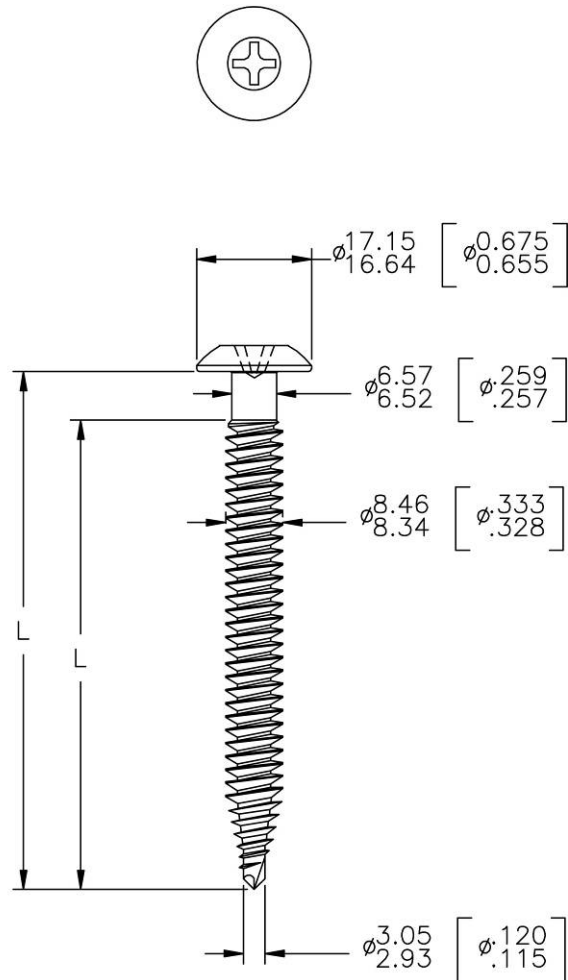
**Annex 61**

Of the European Technical Assessment

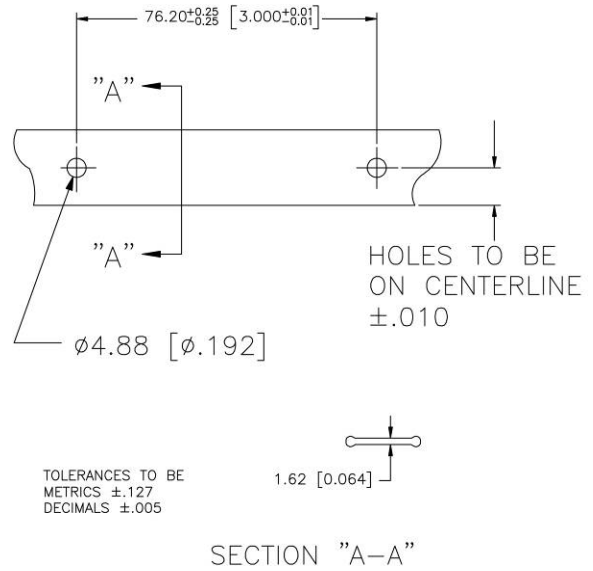
**ETA – 09/0337**

**OMG Flat Roof Fasteners**

**OMG Maxload**



**OMG 3/4" polymer batten strip**



**Combination 62**

**Annex 62**

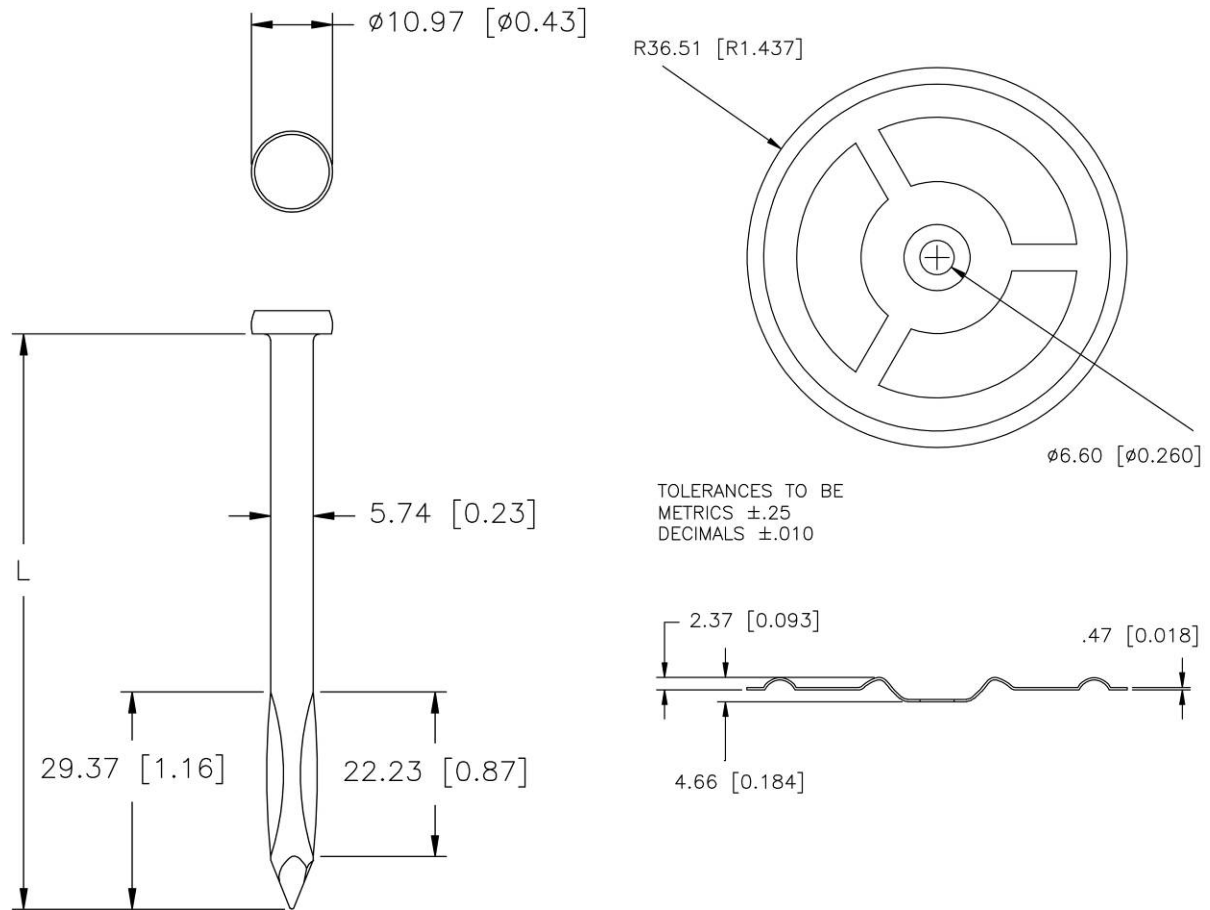
Of the European Technical Assessment

**ETA – 09/0337**

**OMG Flat Roof Fasteners**

**OMG CD-10**

**OMG 3" Ribbed Galvalume Insulation Plate**



**Combination 63**

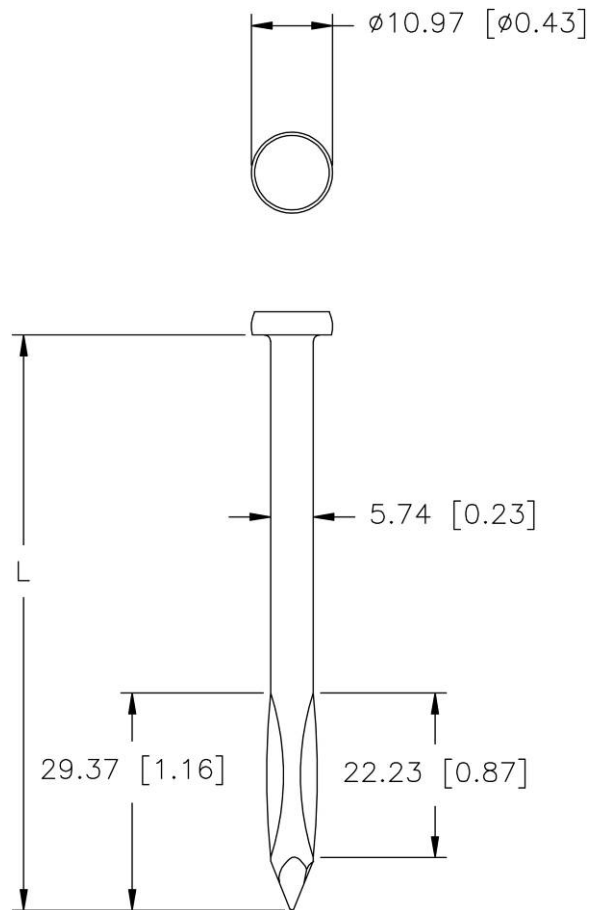
**Annex 63**

Of the European Technical Assessment

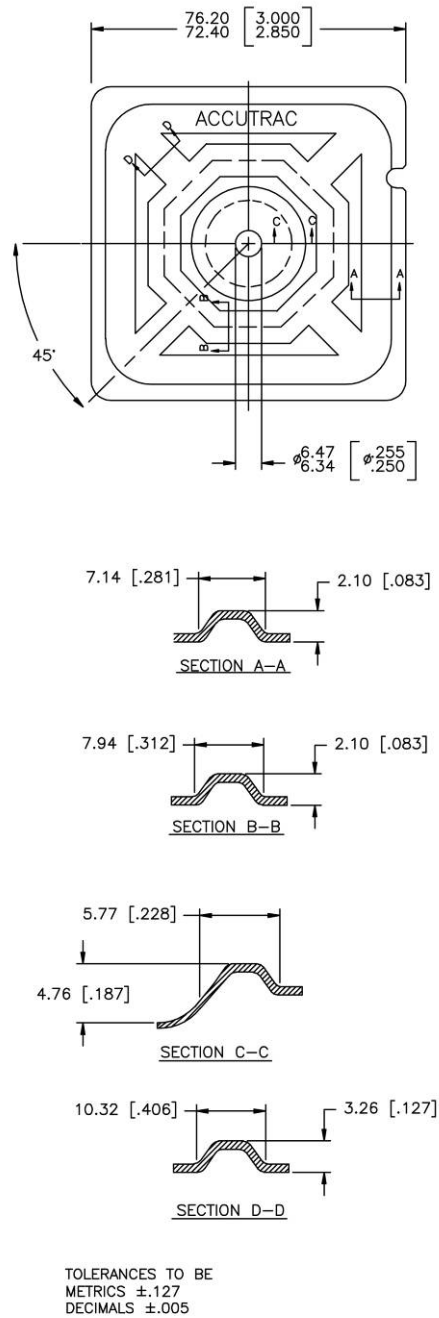
**ETA – 09/0337**

**OMG Flat Roof Fasteners**

**OMG CD-10**



**OMG AccuTrac plate**



**Combination 64**

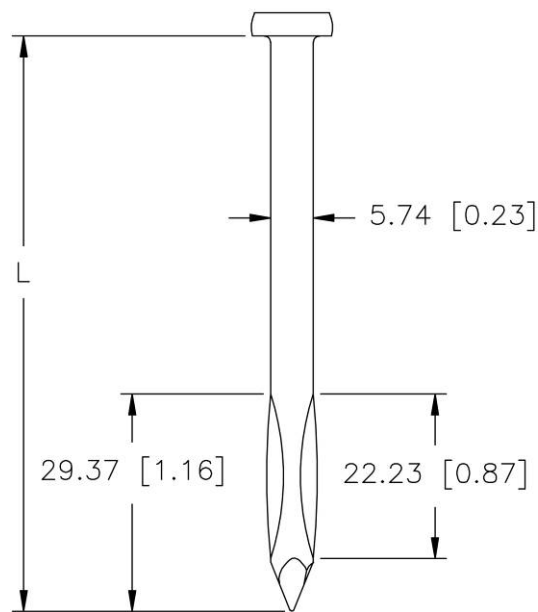
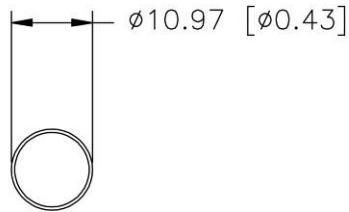
**Annex 64**

**OMG Flat Roof Fasteners**

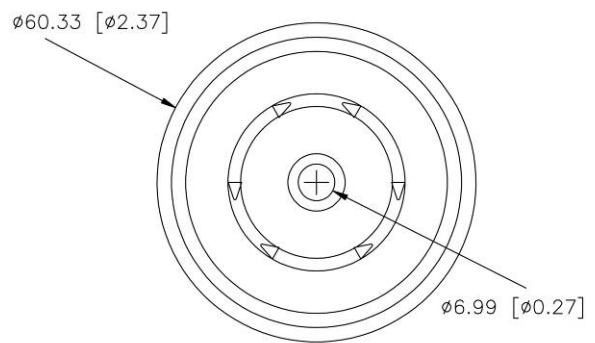
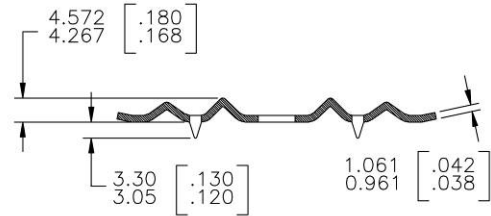
Of the European Technical Assessment

**ETA – 09/0337**

**OMG CD-10**



**OMG XHD barbed stress plate**



TOLERANCES TO BE  
METRICS ±.127  
DECIMALS ±.005

**Combination 65**

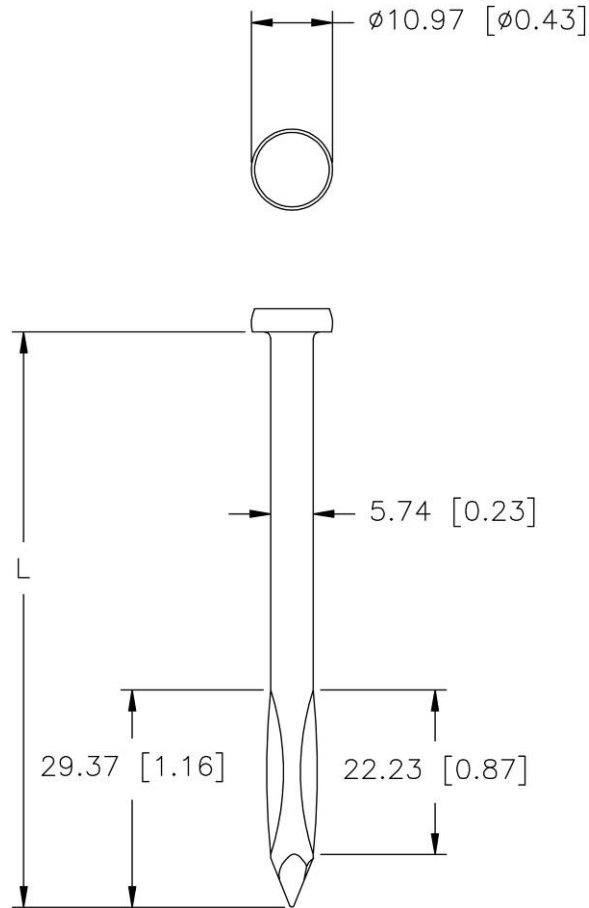
**Annex 65**

Of the European Technical Assessment

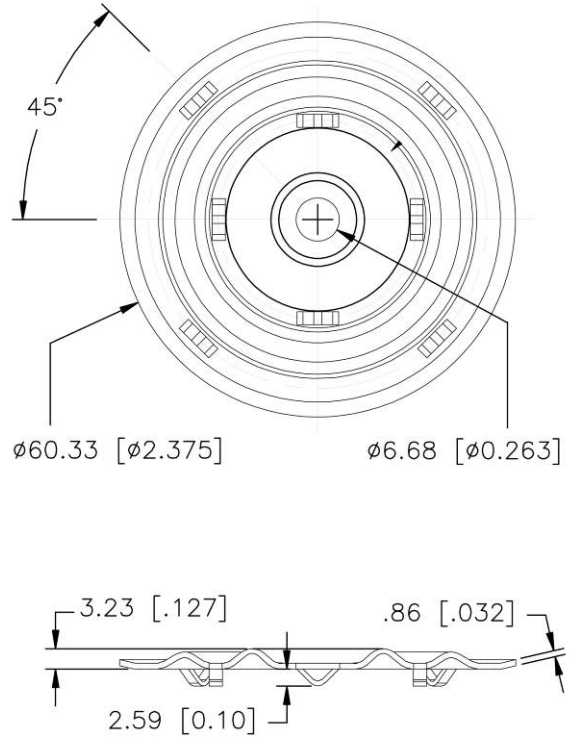
**ETA – 09/0337**

**OMG Flat Roof Fasteners**

**OMG CD-10**



**OMG 2 3/8" Eyehook seam plate**



TOLERANCES TO BE  
 METRICS ±.127  
 DECIMALS ±.005

**Combination 66**

**Annex 66**

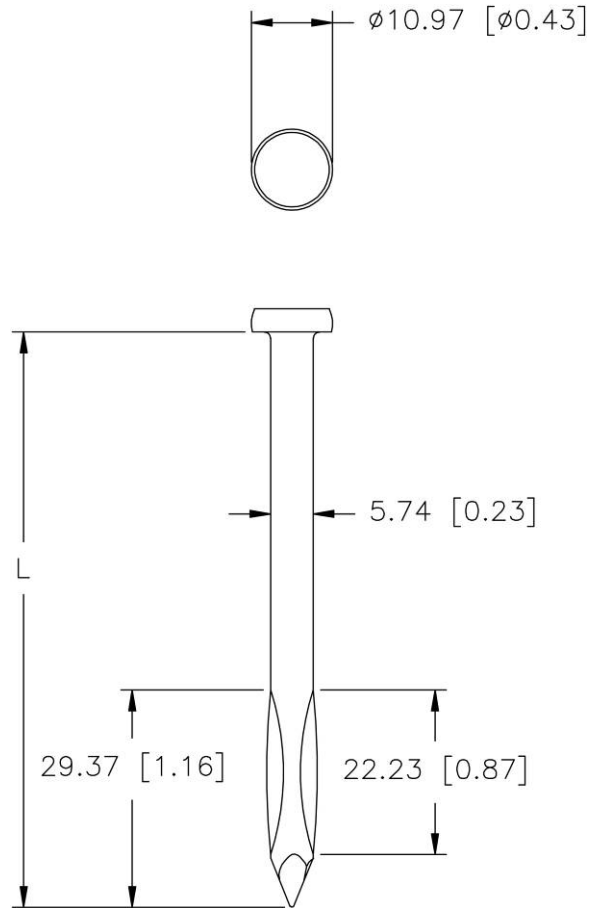
Of the European Technical Assessment

**ETA – 09/0337**

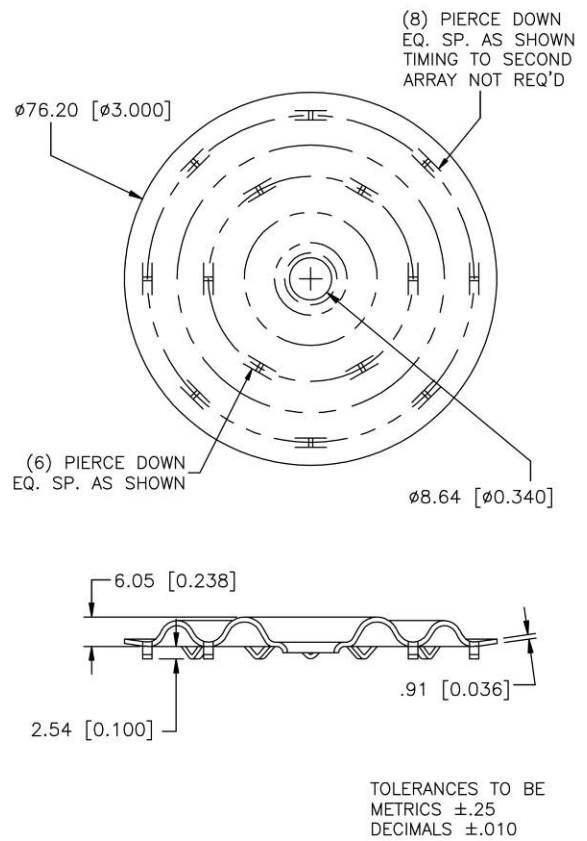
**OMG Flat Roof Fasteners**



**OMG CD-10**



**OMG Maxload seam plate**



**Combination 67**

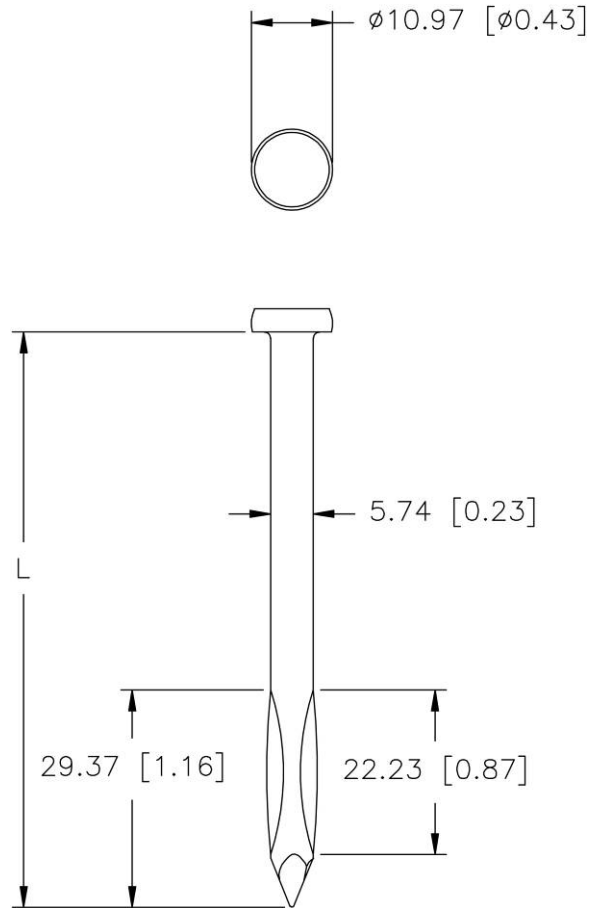
**Annex 67**

Of the European Technical Assessment

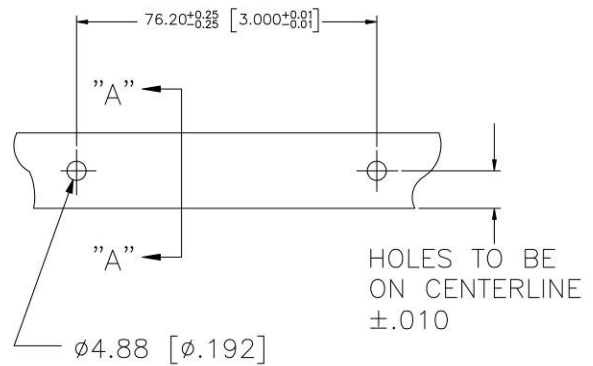
**ETA – 09/0337**

**OMG Flat Roof Fasteners**

**OMG CD-10**



**OMG 3/4" polymer batten strip**



TOLERANCES TO BE METRICS  $\pm .127$  DECIMALS  $\pm .005$



SECTION "A-A"

**Combination 68**

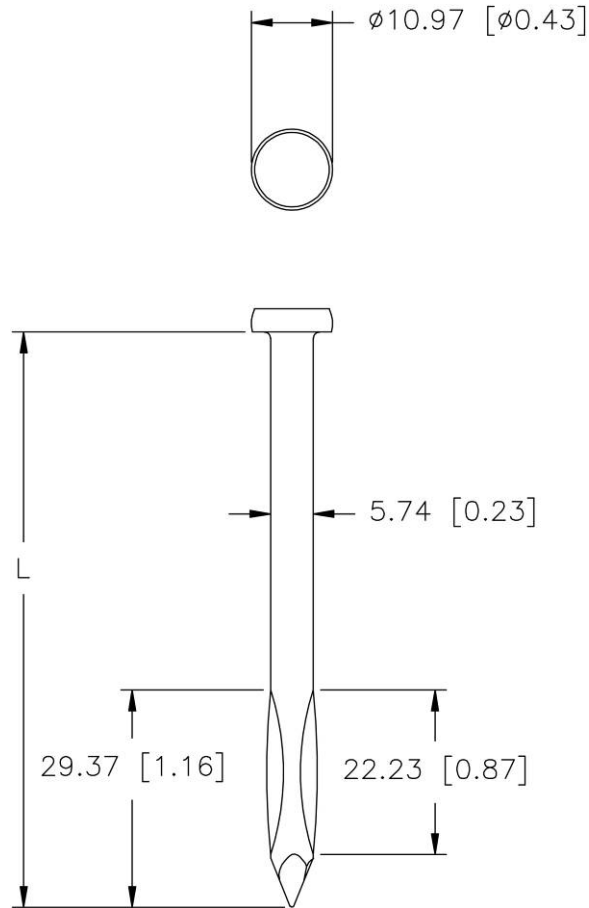
**Annex 68**

Of the European Technical Assessment

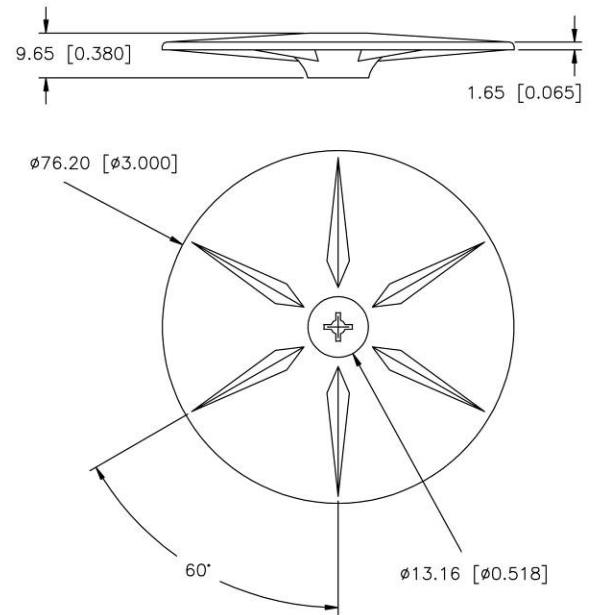
**ETA – 09/0337**

**OMG Flat Roof Fasteners**

**OMG CD-10**



**OMG 3" Plastic Insulation Plate**



TOLERANCES TO BE METRICS ±.127  
DECIMALS ±.005

**Combination 69**

**Annex 69**

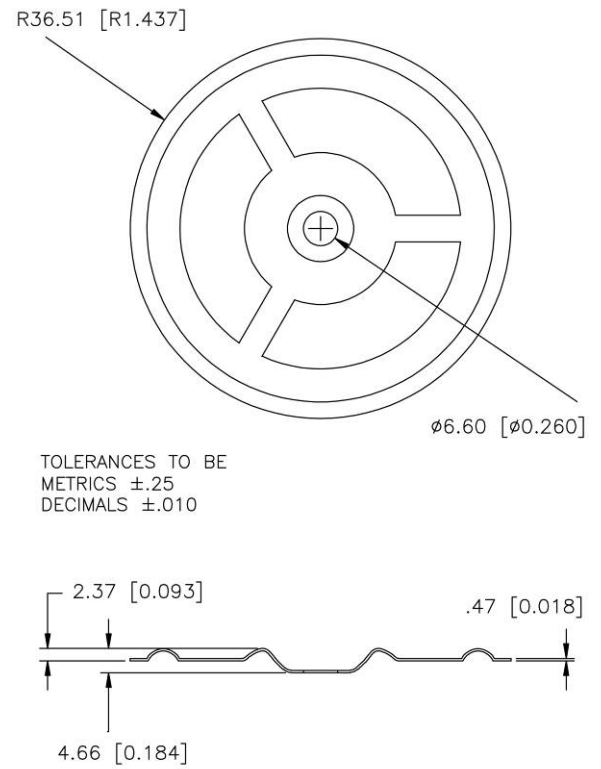
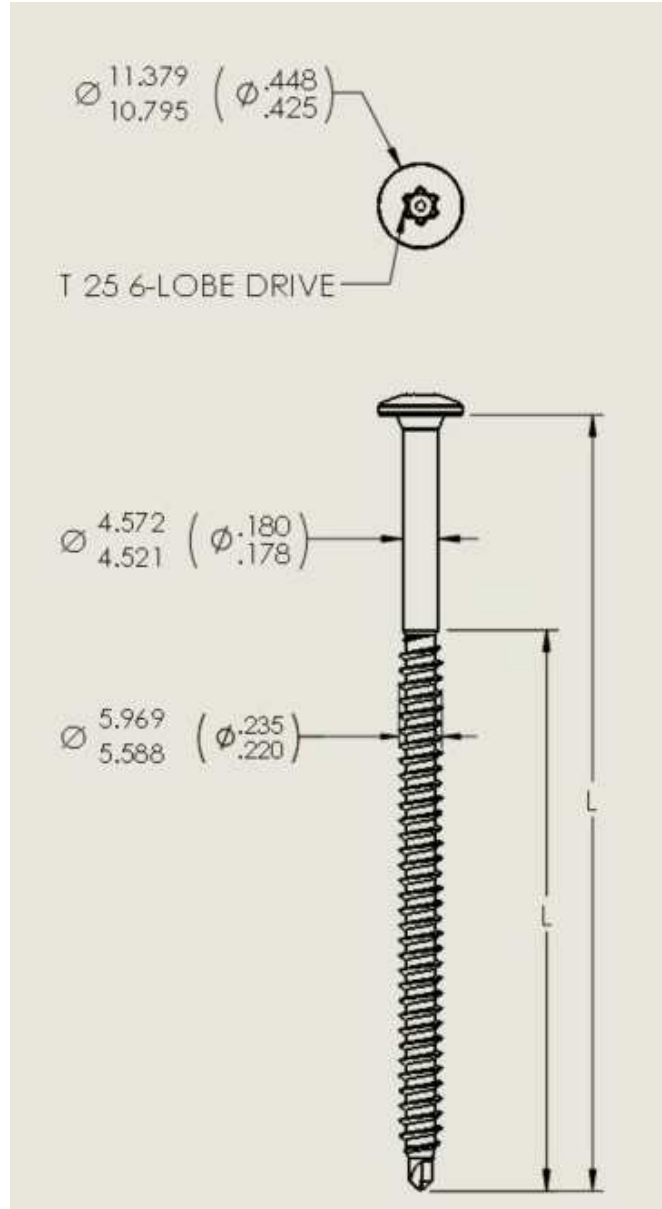
Of the European Technical Assessment

**ETA – 09/0337**

**OMG Flat Roof Fasteners**

**OMG Universal #14**

**OMG 3" Ribbed Galvalume Insulation Plate**



**Combination 70**

**Annex 70**

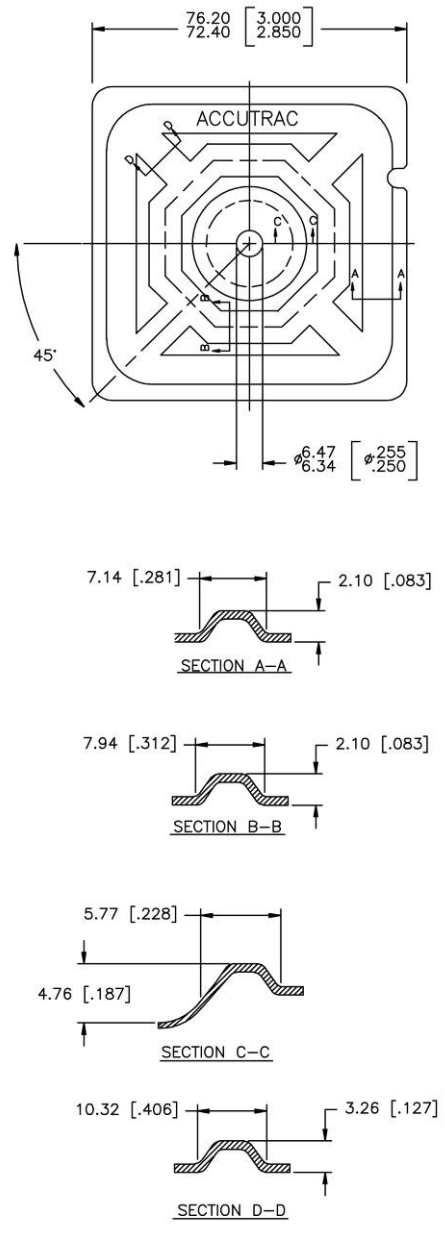
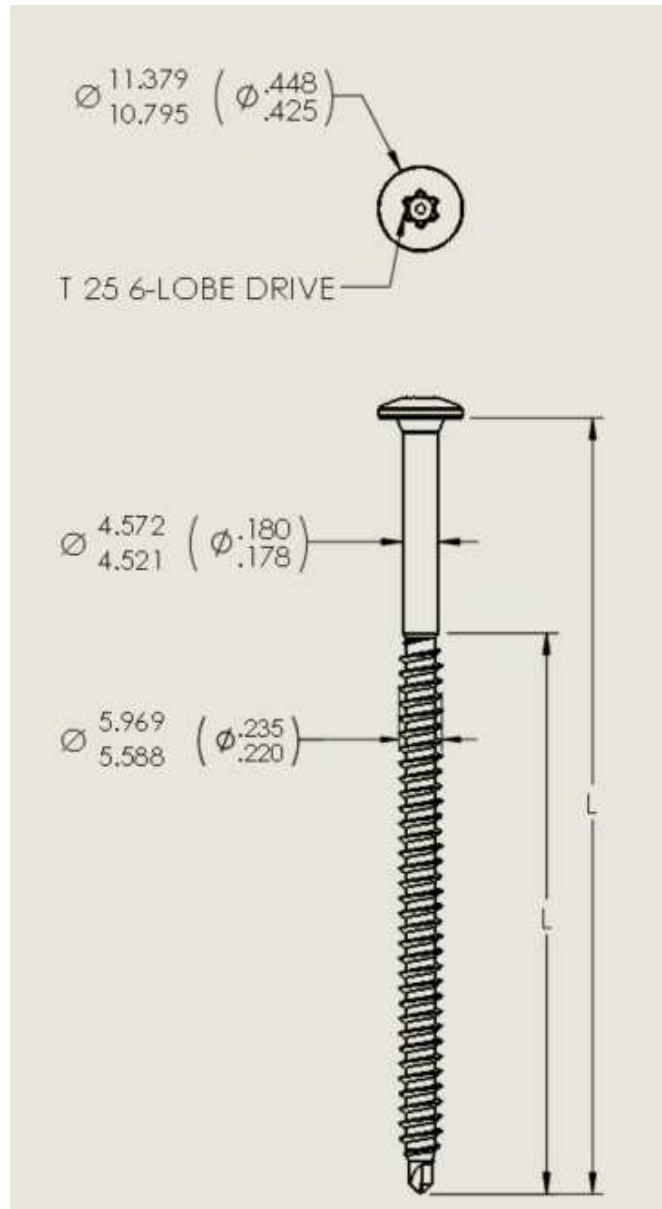
Of the European Technical Assessment

**ETA – 09/0337**

**OMG Flat Roof Fasteners**

**OMG Universal #14**

**OMG AccuTrac Plate**



TOLERANCES TO BE  
 METRICS ±.127  
 DECIMALS ±.005

**Combination 71**

**Annex 71**

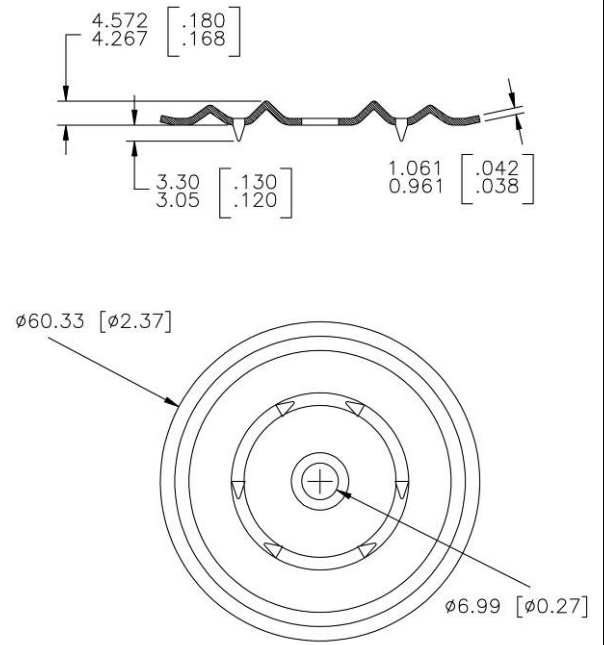
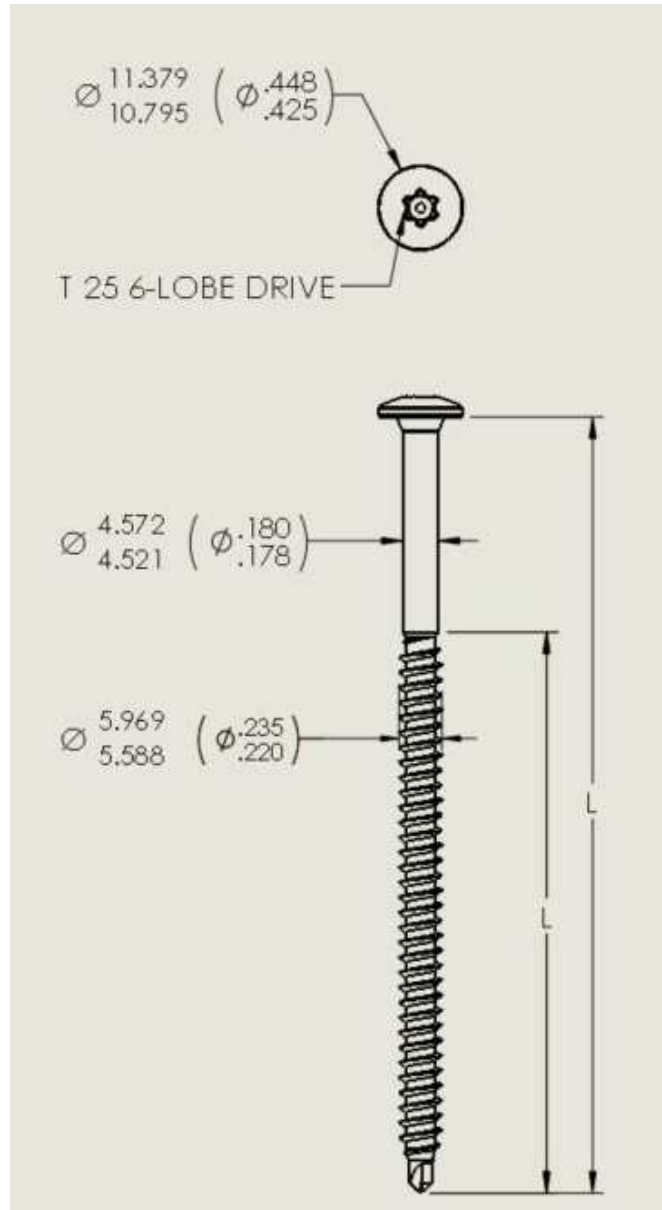
Of the European Technical Assessment

**ETA – 09/0337**

**OMG Flat Roof Fasteners**

**OMG Universal #14**

**OMG XHD Barbed Stress Plate**



TOLERANCES TO BE  
 METRICS  $\pm$ .127  
 DECIMALS  $\pm$ .005

**Combination 72**

**Annex 72**

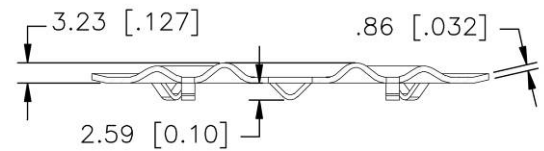
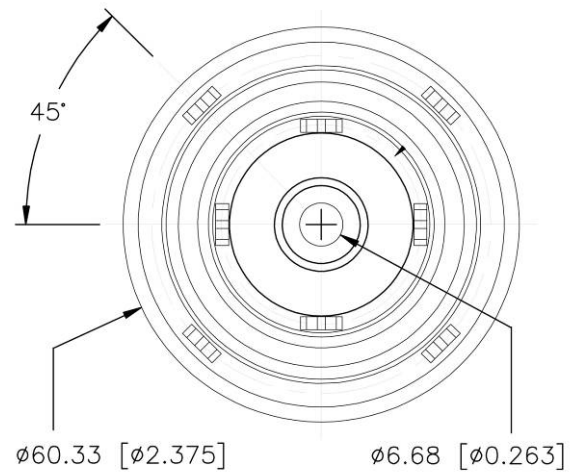
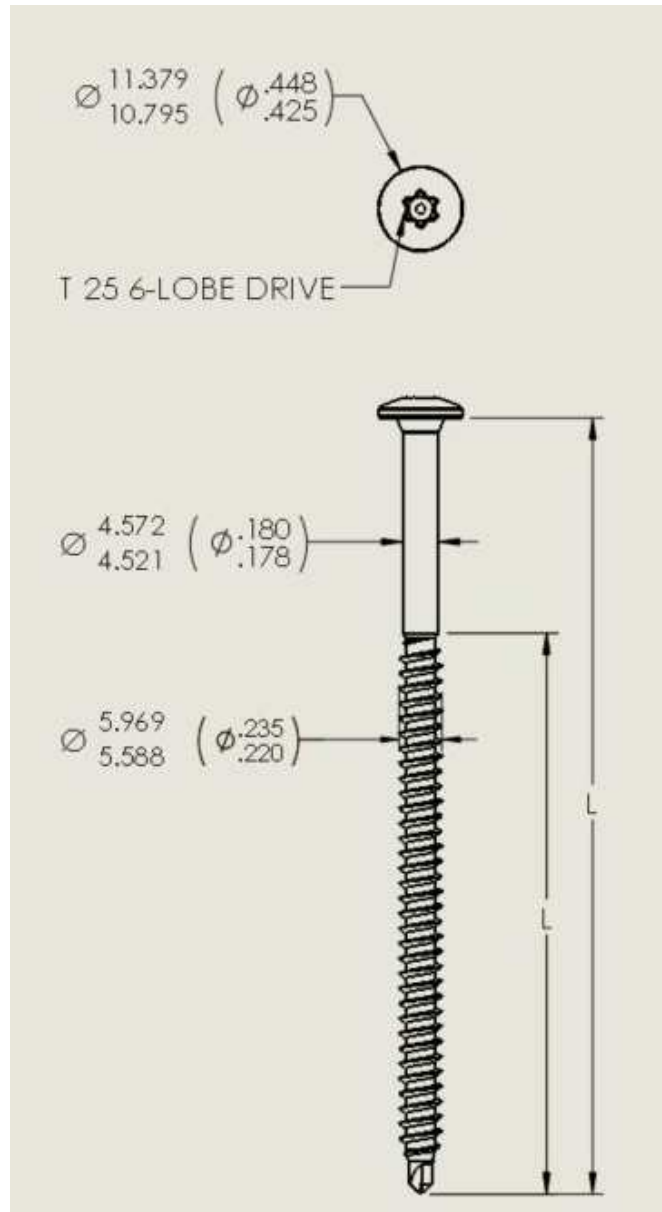
Of the European Technical Assessment

**ETA – 09/0337**

**OMG Flat Roof Fasteners**

**OMG Universal #14**

**OMG 2 3/8" Eyehook seam plate**



TOLERANCES TO BE  
 METRICS  $\pm .127$   
 DECIMALS  $\pm .005$

**Combination 73**

**Annex 73**

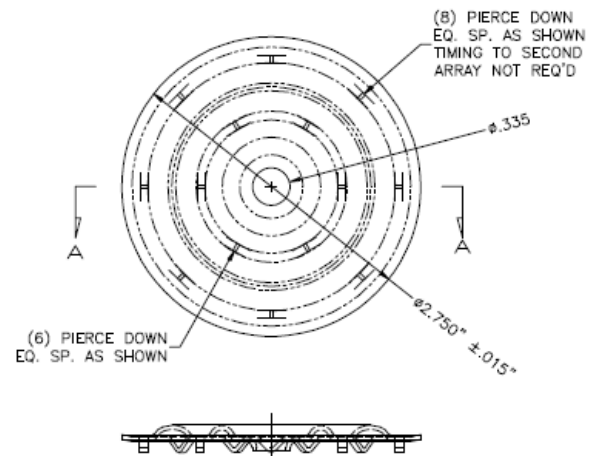
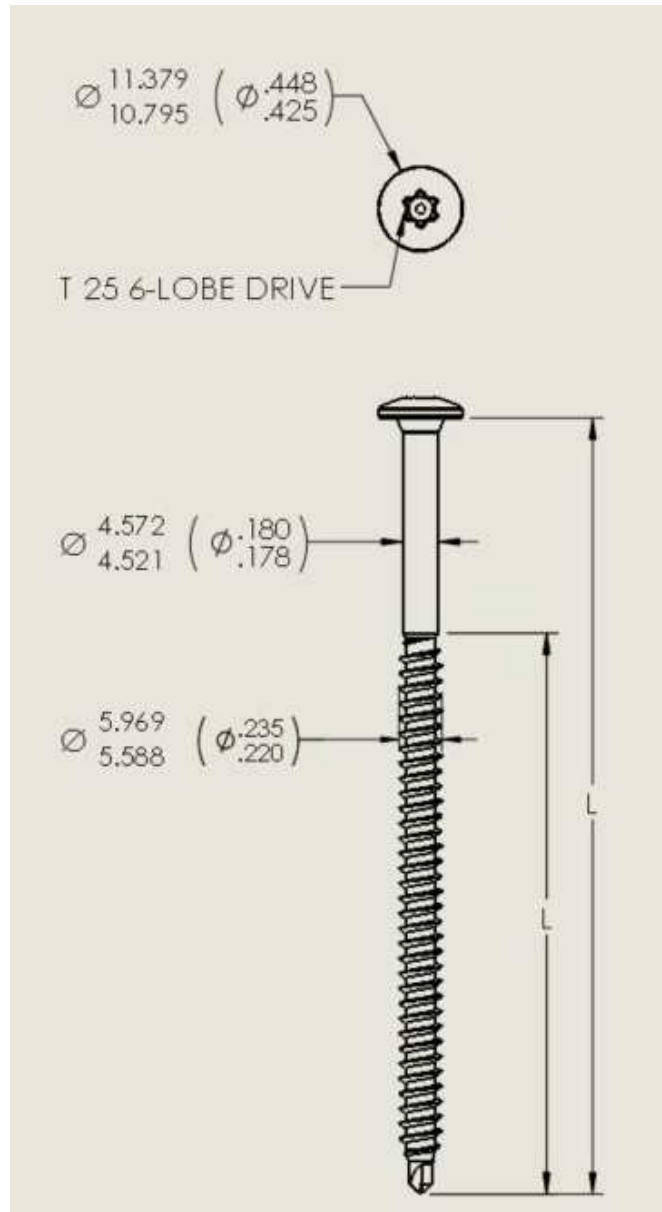
Of the European Technical Assessment

**ETA – 09/0337**

**OMG Flat Roof Fasteners**

**OMG Universal #14**

**OMG 2 3/4" Eyehook seam plate**



**Combination 74**

**Annex 74**

Of the European Technical Assessment

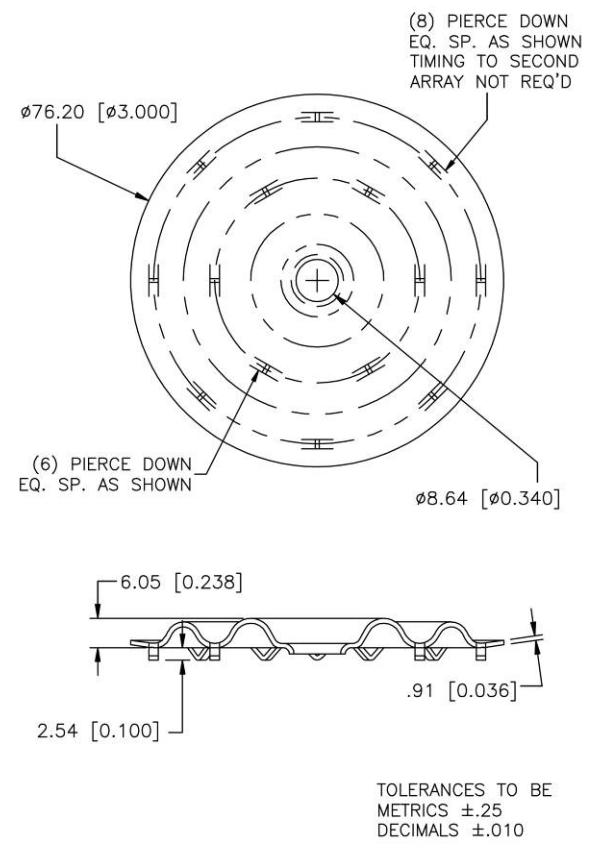
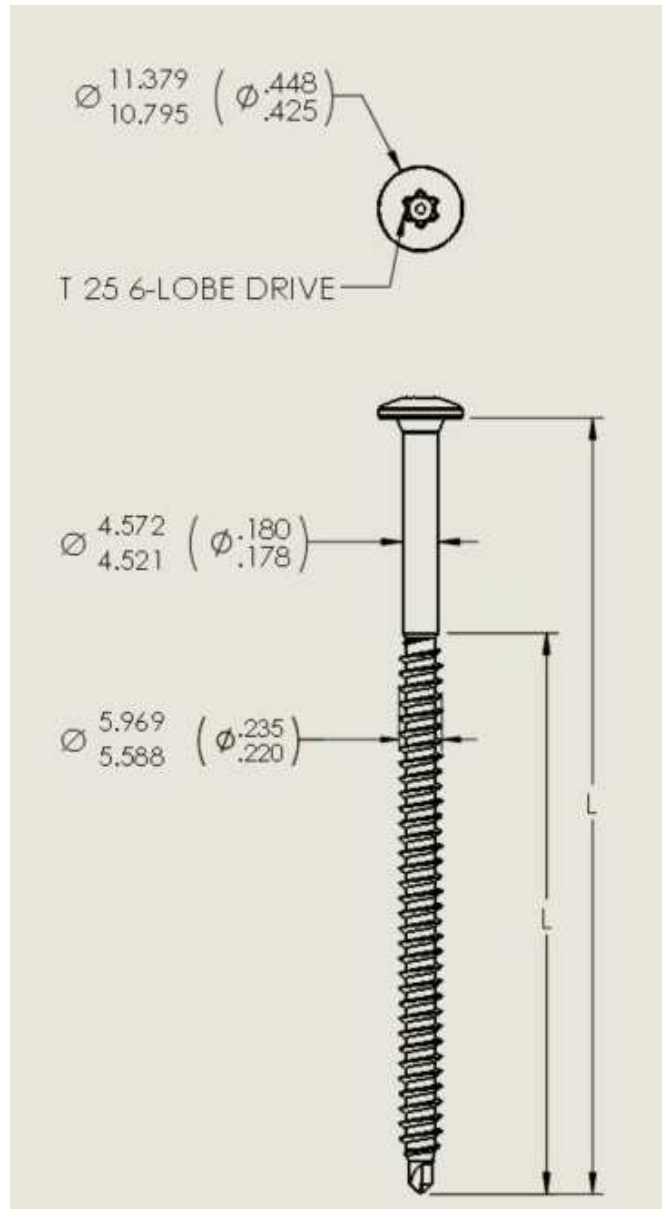
**ETA – 09/0337**

**OMG Flat Roof Fasteners**



**OMG Universal #14**

**OMG Maxload seam plate**



**Combination 75**

**Annex 75**

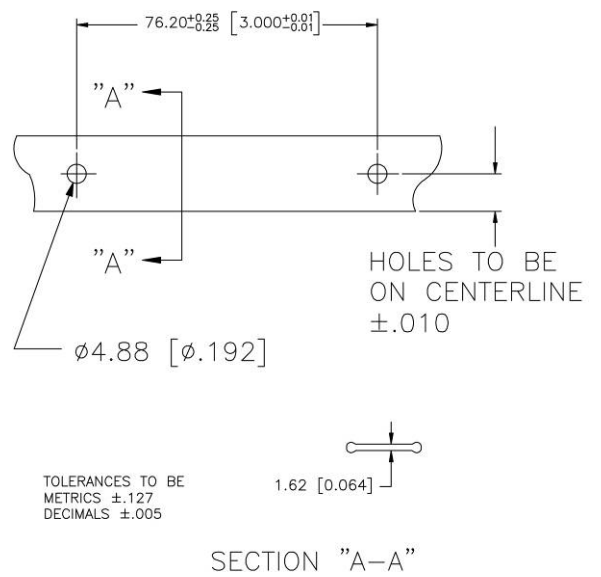
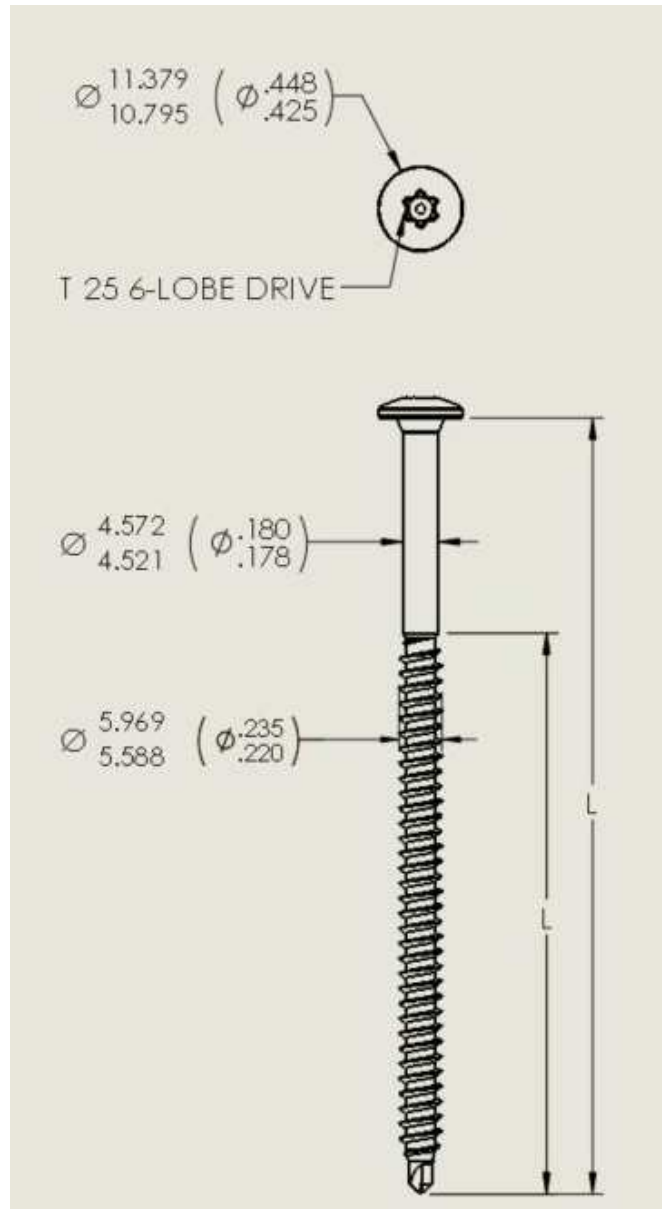
Of the European Technical Assessment

**ETA – 09/0337**

**OMG Flat Roof Fasteners**

**OMG Universal #14**

**OMG 3/4" polymer batten strip**



**Combination 76**

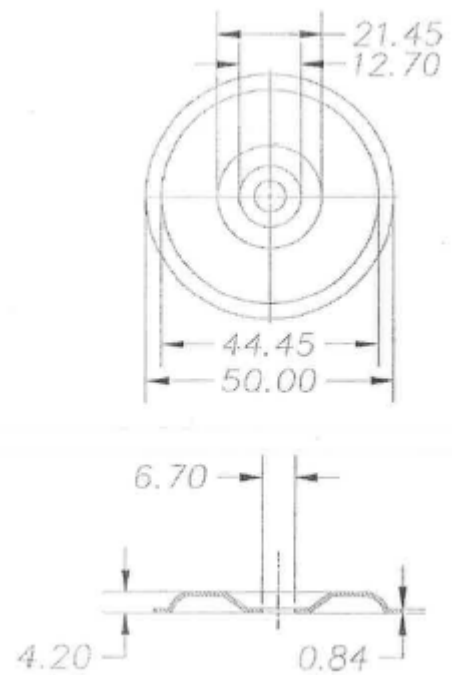
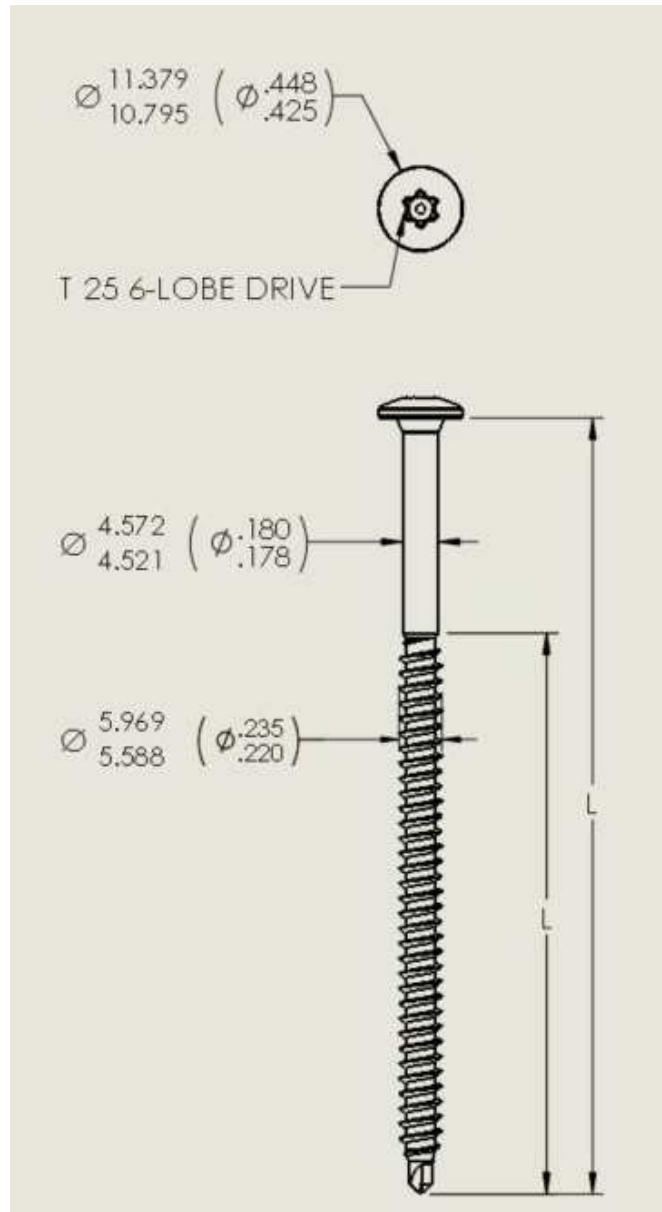
**Annex 76**

Of the European Technical Assessment  
**ETA – 09/0337**

**OMG Flat Roof Fasteners**

**OMG Universal #14**

**OMG 2" Metal Seam Plate**



**Combination 77**

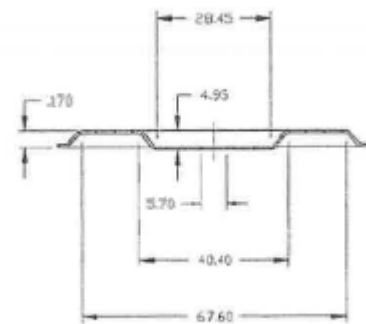
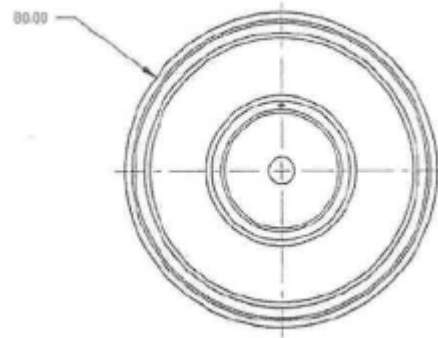
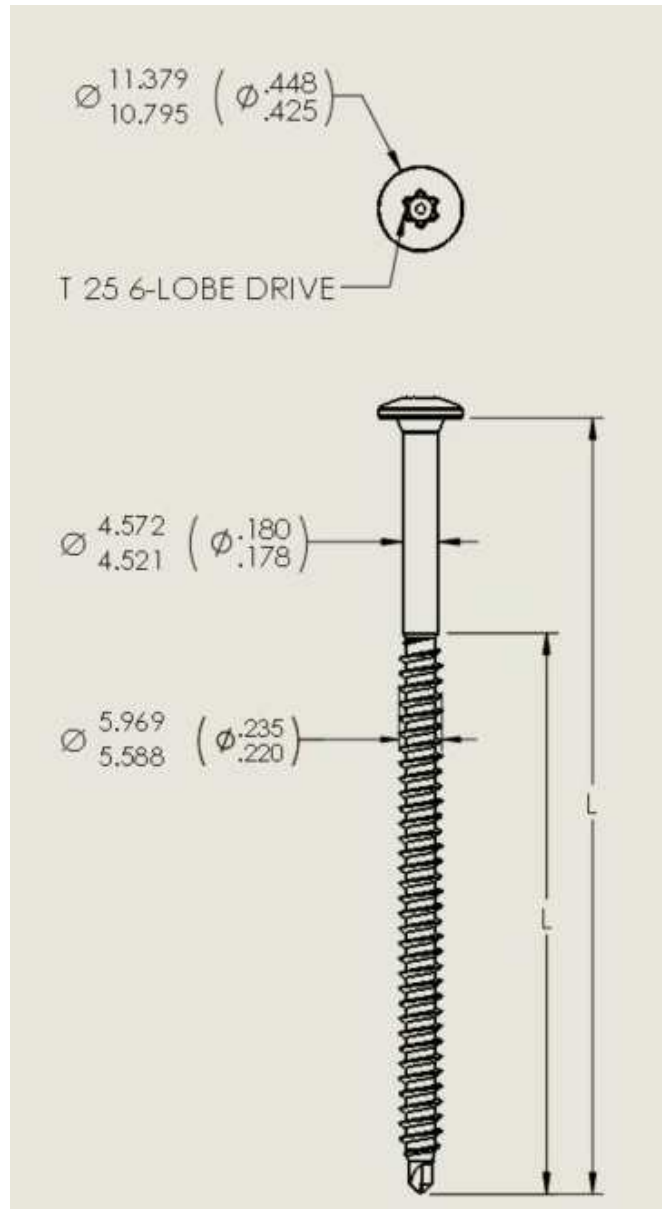
**Annex 77**

Of the European Technical Assessment  
**ETA – 09/0337**

**OMG Flat Roof Fasteners**

**OMG Universal #14**

**OMG 80mm RhinoBond Insulation Plate**



**Combination 78**

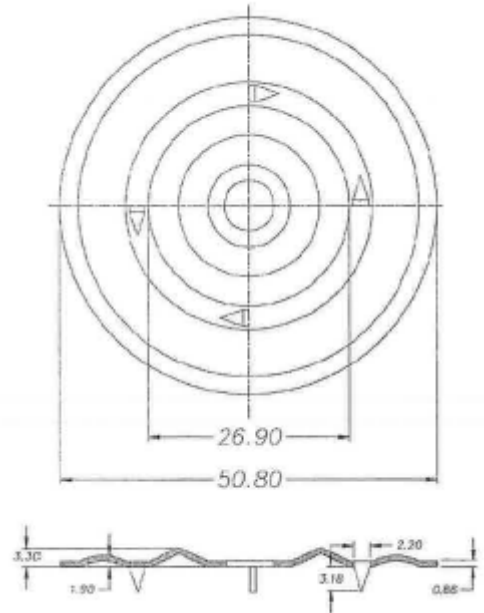
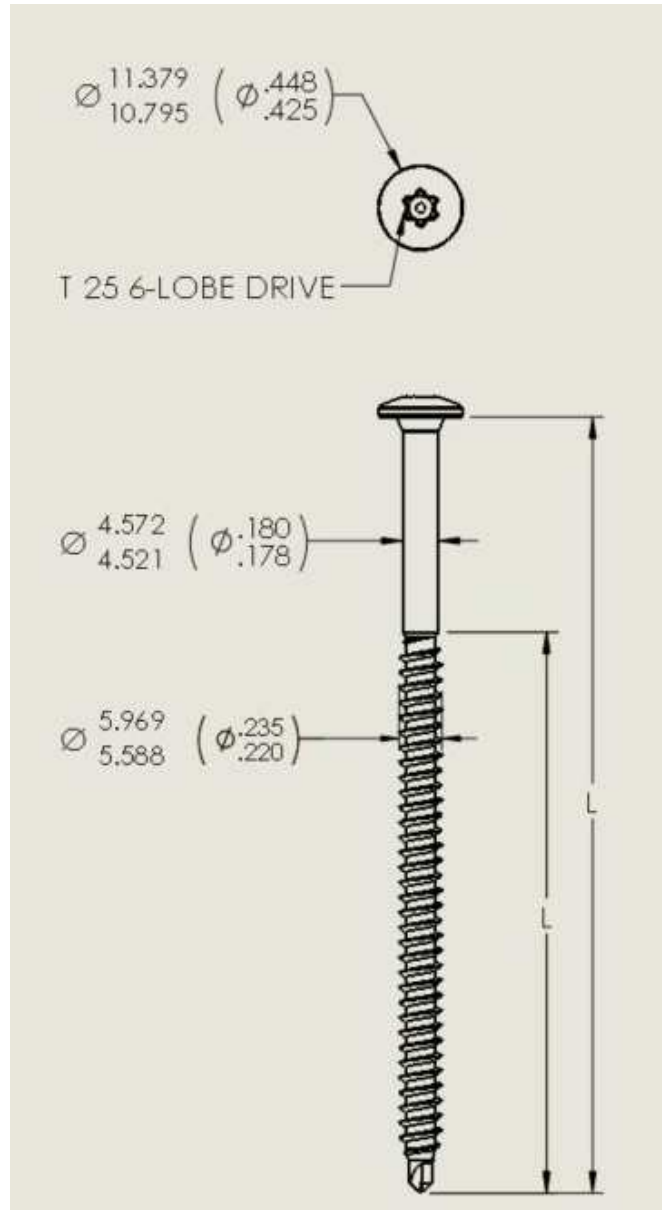
**Annex 78**

Of the European Technical Assessment  
**ETA – 09/0337**

**OMG Flat Roof Fasteners**

**OMG Universal #14**

**OMG 2" Metal Barbed Seam Plate**



**Combination 79**

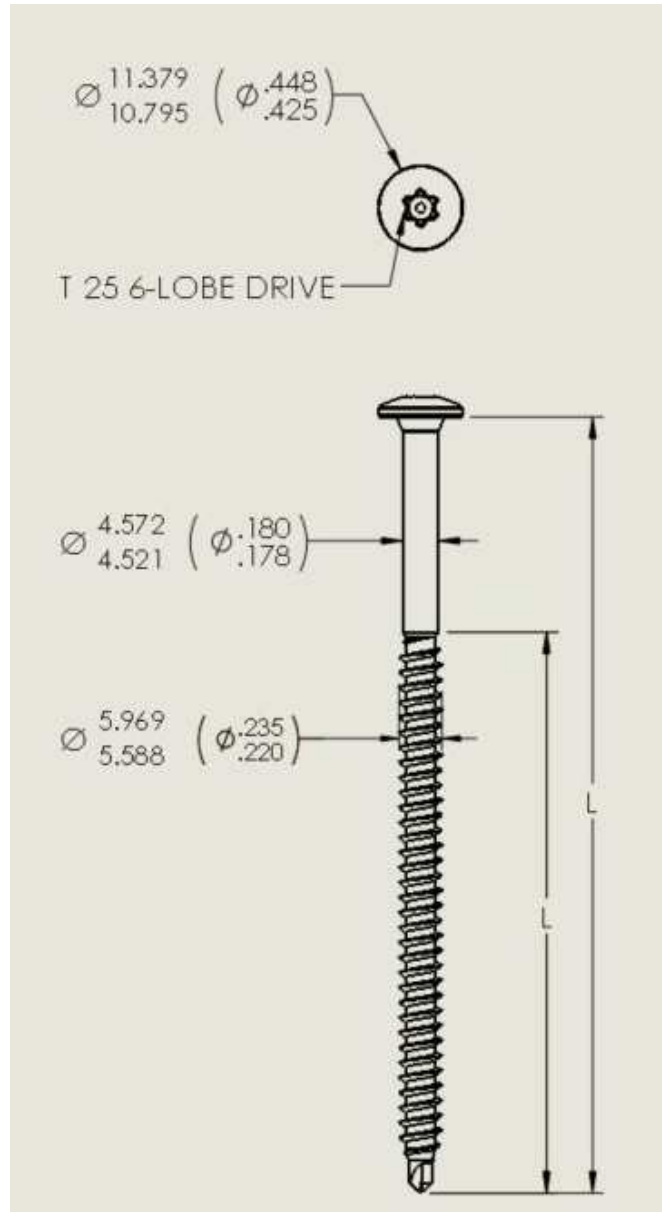
**Annex 79**

Of the European Technical Assessment

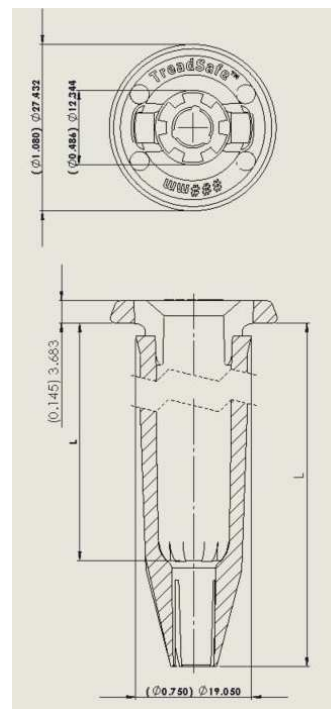
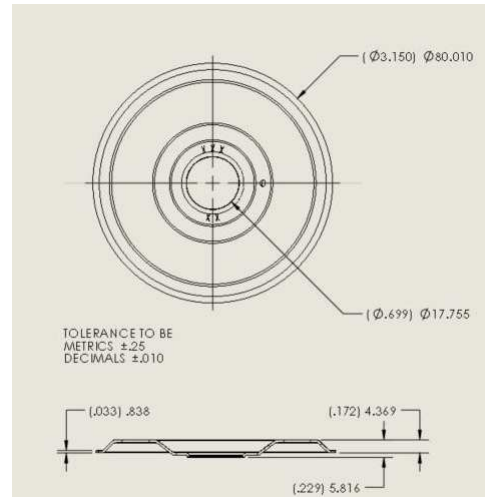
**ETA – 09/0337**

**OMG Flat Roof Fasteners**

**OMG Universal #14**



**OMG RhinoBond Treadsafe Plate with Treadsafe plastic insert tube**



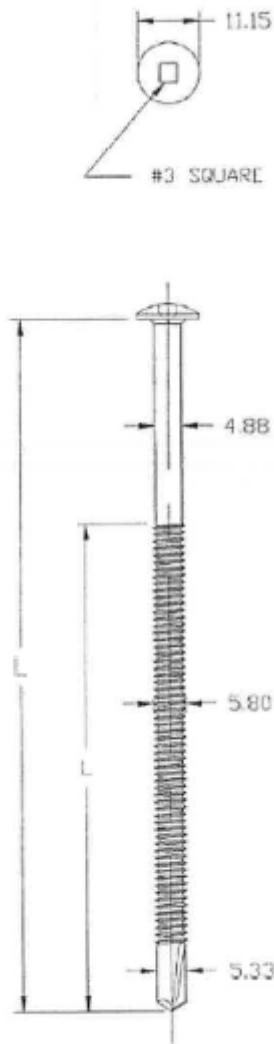
**Combination 80**

**Annex 80**

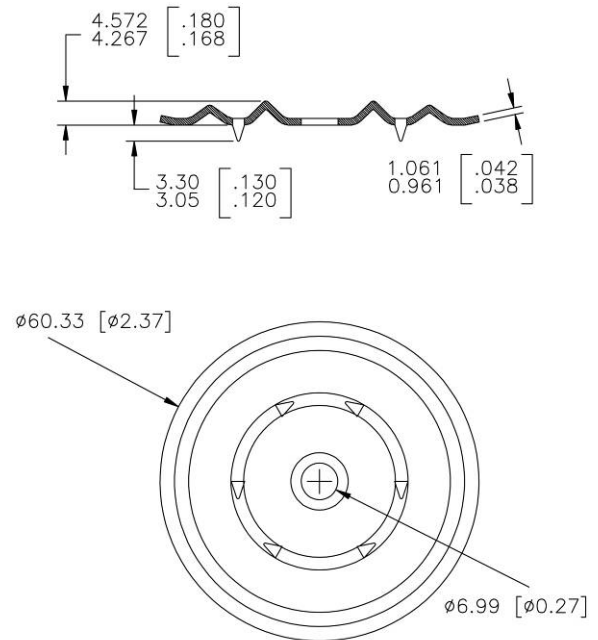
Of the European Technical Assessment  
**ETA – 09/0337**

**OMG Flat Roof Fasteners**

**OMG RetroDriller**



**OMG XHD Barbed Stress Plate**



TOLERANCES TO BE  
 METRICS ±.127  
 DECIMALS ±.005

**Combination 81**

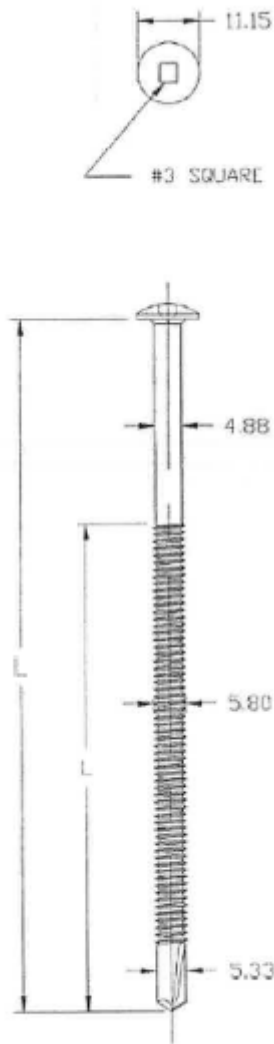
**Annex 81**

Of the European Technical Assessment

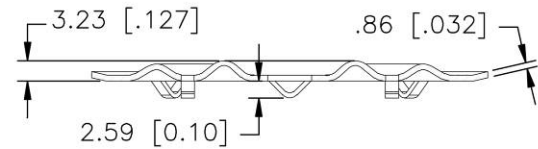
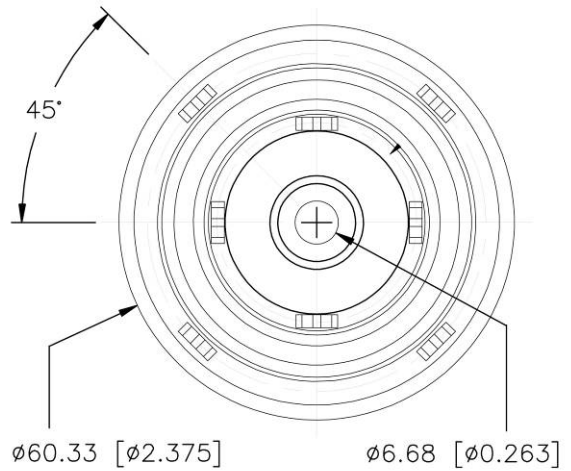
**ETA – 09/0337**

**OMG Flat Roof Fasteners**

**OMG RetroDriller**



**OMG 2 3/8" Eyehook Seam Plate**



TOLERANCES TO BE  
 METRICS ±.127  
 DECIMALS ±.005

**Combination 82**

**Annex 82**

Of the European Technical Assessment

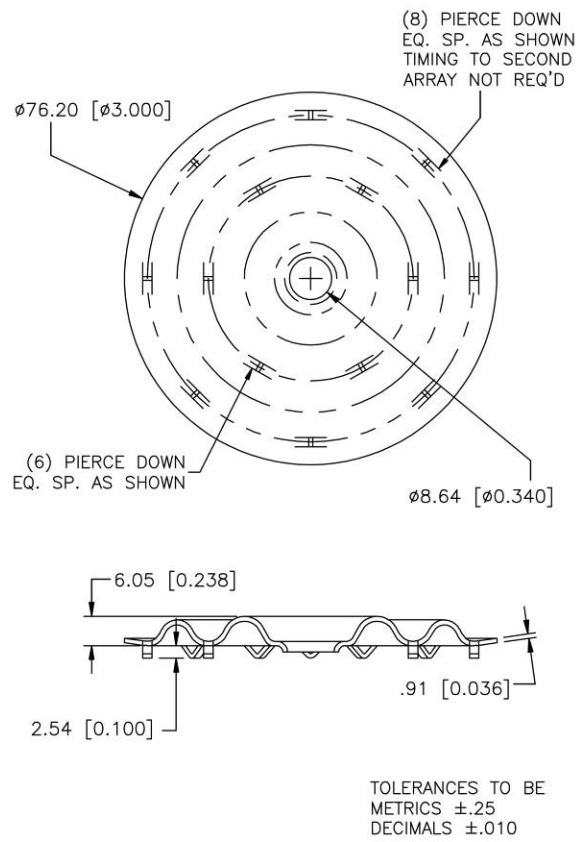
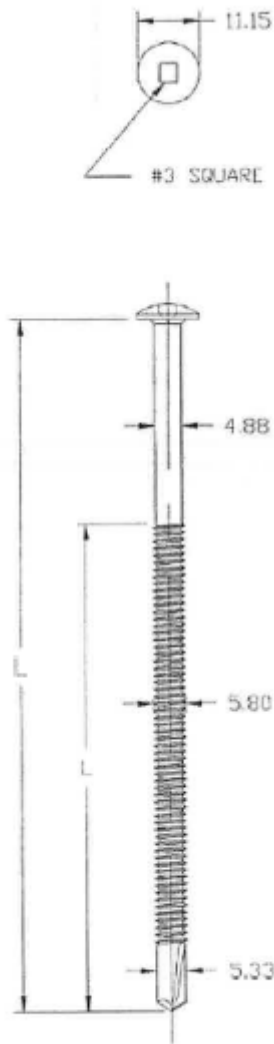
**ETA – 09/0337**

**OMG Flat Roof Fasteners**



**OMG RetroDriller**

**OMG Maxload seam Plate**



**Combination 83**

**Annex 83**

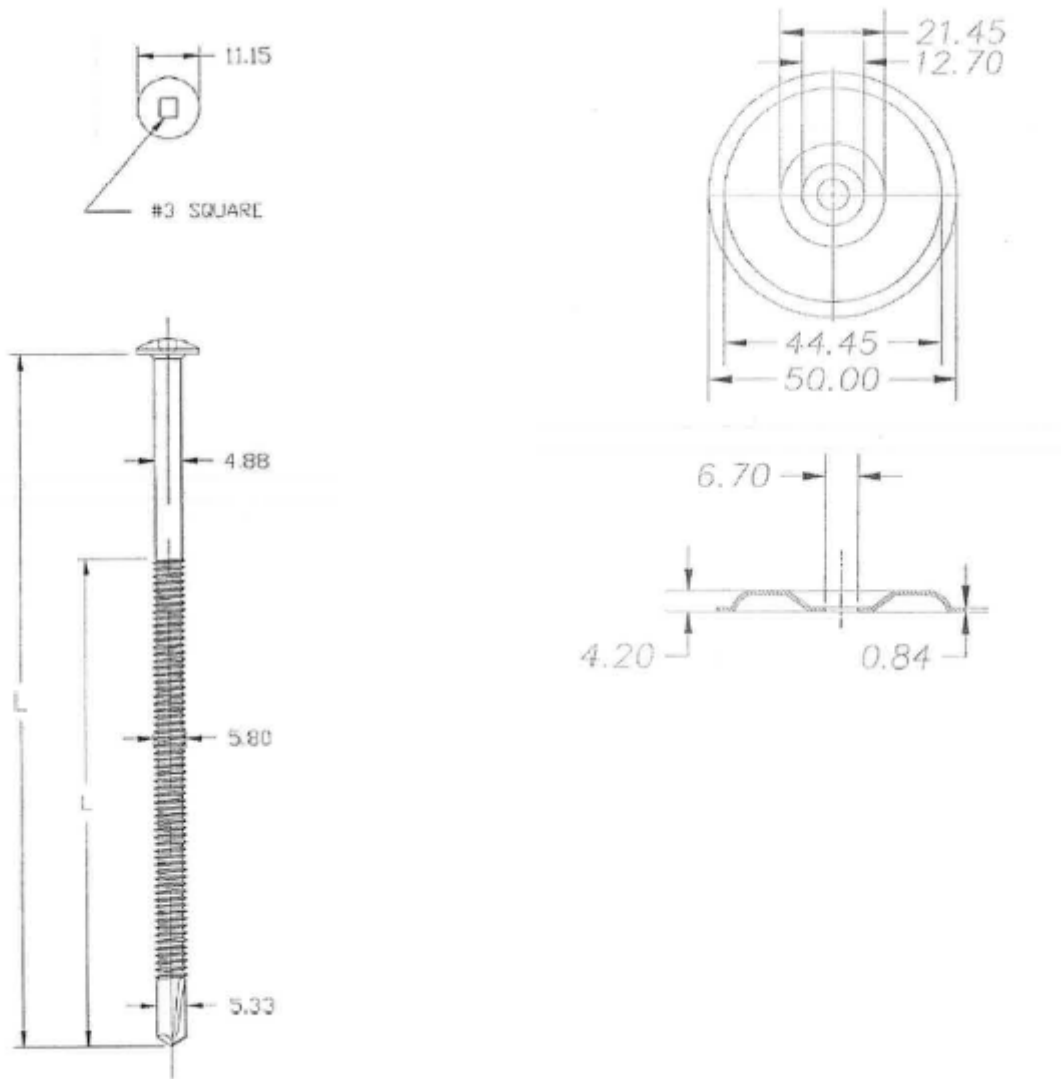
Of the European Technical Assessment

**ETA – 09/0337**

**OMG Flat Roof Fasteners**

**OMG RetroDriller**

**OMG 2" Metal Seam Plate**



**Combination 84**

**Annex 84**

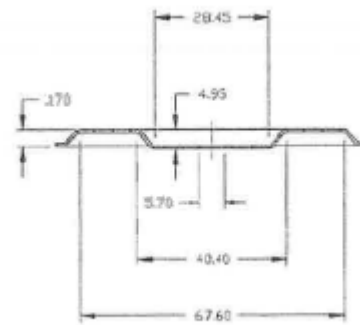
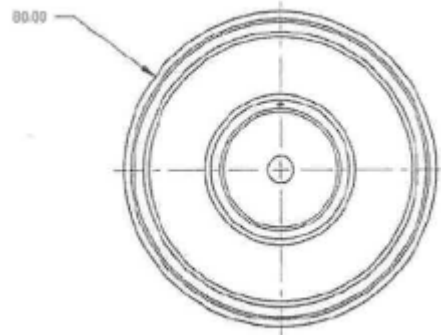
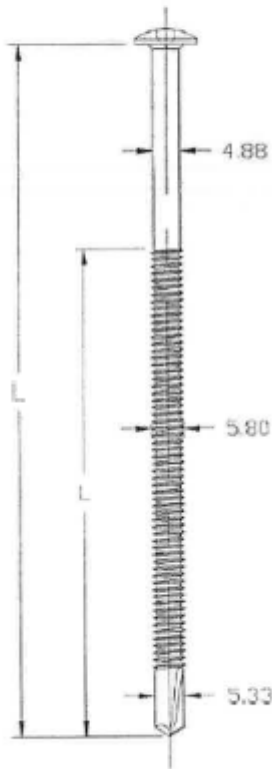
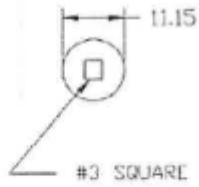
Of the European Technical Assessment

**ETA – 09/0337**

**OMG Flat Roof Fasteners**

**OMG RetroDriller**

**OMG 80mm RhinoBond Insulation Plate**



**Combination 85**

**Annex 85**

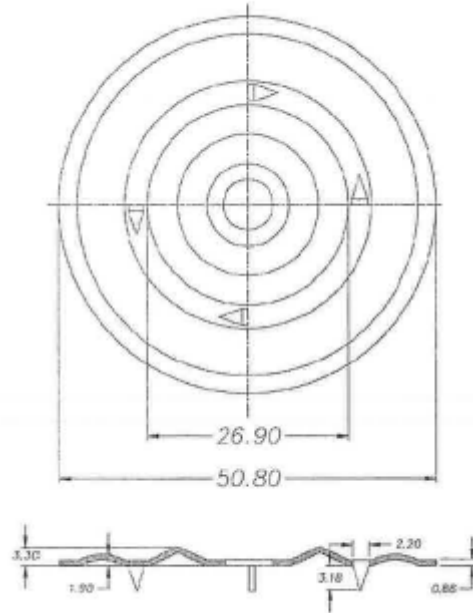
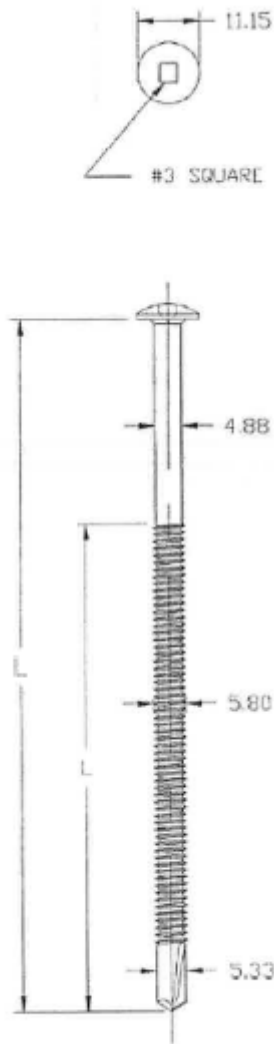
Of the European Technical Assessment

**ETA – 09/0337**

**OMG Flat Roof Fasteners**

**OMG RetroDriller**

**OMG 2" Metal Barbed Seam Plate**



**Combination 86**

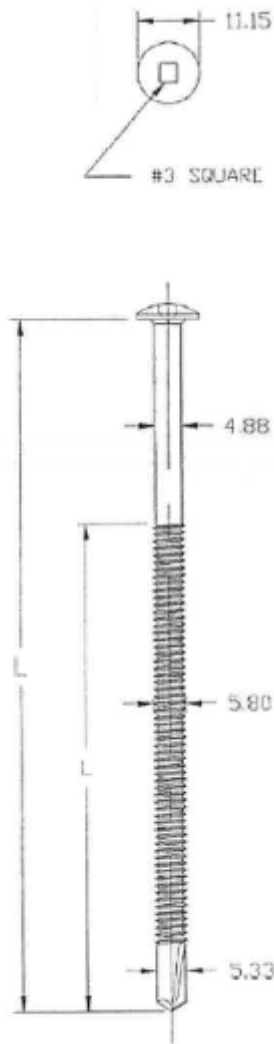
**Annex 86**

Of the European Technical Assessment

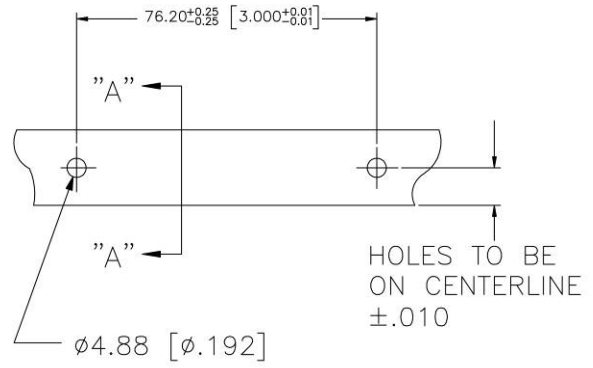
**ETA – 09/0337**

**OMG Flat Roof Fasteners**

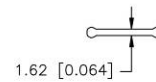
**OMG RetroDriller**



**OMG 3/4" polymer batten strip**



TOLERANCES TO BE  
METRICS ±.127  
DECIMALS ±.005



SECTION "A-A"

**Combination 87**

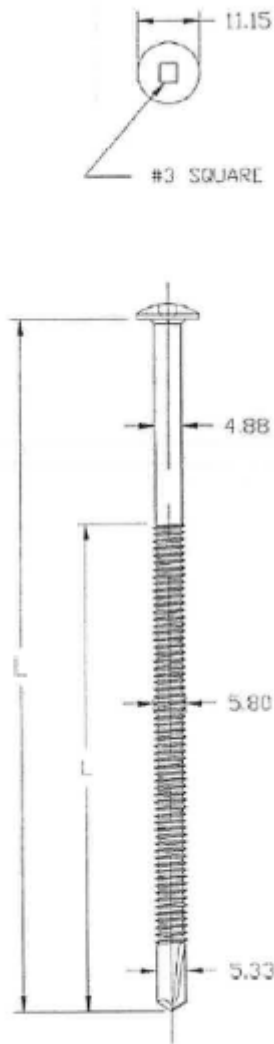
**Annex 87**

Of the European Technical Assessment

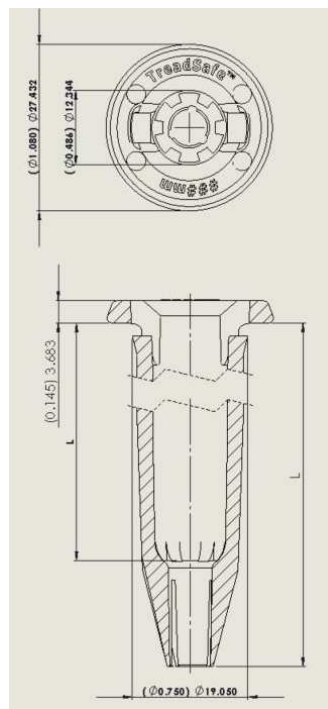
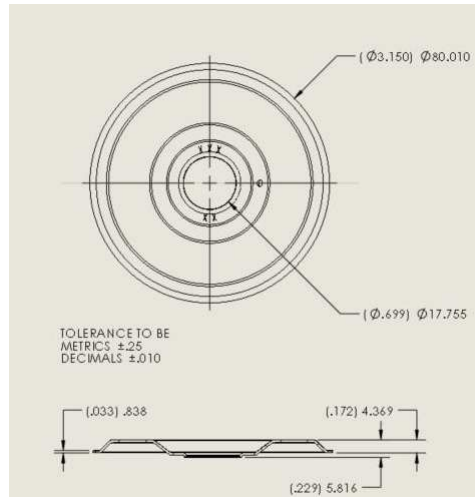
**ETA – 09/0337**

**OMG Flat Roof Fasteners**

**OMG RetroDriller**



**OMG RhinoBond Treadsafe Plate with Treadsafe plastic insert tube**



**Combination 88**

**Annex 88**

Of the European Technical Assessment

**ETA – 09/0337**

**OMG Flat Roof Fasteners**

<b>Characteristic Values of Axial Load Resistance (kN)</b>					
Annex	OMG Roof Fastener Combination		Substrate Steel – 0.7mm thick S280GD to EN 10326 Plywood – t ≥ 19mm exterior grade to EN 636 Concrete – 100mm thick C25/30 to EN 206-1		
	Screw	Washer / Linear Fastener	Steel	Plywood	Concrete
1	#12 Standard Roofgrip	3" ribbed galvalume	0.72	1.27	-
2		AccuTrac plate	0.72	1.27	-
3		3" plastic plate	0.72	1.27	-
4		2" metal Seam plate	0.72	1.27	-
5		80mm RhinoBond plate	0.72	1.27	-
6		2" metal barbed seam plate	0.72	1.27	-
7		RhinoBond TreadSafe plate with plastic insert	0.72	1.27	-
8	#12 Standard Roofgrip Drill point	3" ribbed galvalume	1.05	1.41	-
9		AccuTrac plate	1.05	1.41	-
10		3" plastic plate	1.05	1.41	-
11		XHD barbed plate	1.05	1.41	-
12		2 <sup>3</sup> / <sub>8</sub> " Eyehook seam plate	1.05	1.41	-
13		3/4" polymer batten strip	1.05	1.41	-
14		2" metal Seam plate	1.05	1.41	-
15		80mm RhinoBond plate	1.05	1.41	-
16		2" metal barbed seam plate	1.05	1.41	-
17	RhinoBond TreadSafe plate with plastic insert	1.05	1.41	-	
18	#14 Heavy Duty	3" ribbed galvalume	0.56	1.60	3.01
19		AccuTrac plate	0.56	1.60	2.81
20		2 <sup>3</sup> / <sub>8</sub> " Eyehook seam plate	0.56	1.60	3.97
21		Maxload seam plate	0.56	1.60	3.97
22		3/4" polymer batten strip	0.56	1.60	2.59
23		3" plastic plate	0.56	1.60	1.75
24		2" metal Seam plate	0.56	1.60	3.97
25		80mm RhinoBond plate	0.56	1.60	3.50
26		2" metal barbed seam plate	0.56	1.60	3.97
27		RhinoBond TreadSafe plate with plastic insert	0.56	1.60	3.97
28	#15 Roofgrip	3" ribbed galvalume	1.78	1.75	1.40
29		AccuTrac plate	1.78	1.75	1.40
30		2 <sup>3</sup> / <sub>8</sub> " Eyehook seam plate	1.78	1.75	1.40
31		2 <sup>3</sup> / <sub>4</sub> " Eyehook seam plate	1.78	1.75	1.40
32		Maxload seam plate	1.78	1.75	1.40
33		3/4" polymer batten strip	1.78	1.75	1.40
34		3" plastic plate	1.50	1.50	1.40
35		2" metal Seam plate	1.78	1.75	1.40
36		80mm RhinoBond plate	1.78	1.75	1.40
37		2" metal barbed seam plate	1.78	1.75	1.40
38		RhinoBond TreadSafe plate with plastic insert	1.78	1.75	1.40
39	XHD	3" ribbed galvalume	1.78	1.75	-
40		AccuTrac plate	1.78	1.75	-
41		XHD barbed plate	1.78	1.75	-
42		2 <sup>3</sup> / <sub>8</sub> " Eyehook seam plate	1.78	1.75	-
43		Maxload seam plate	1.78	1.75	-

<b>Characteristic Values of Axial Load Resistance (kN)</b>					
Annex	OMG Roof Fastener Combination		Substrate Steel – 0.7mm thick S280GD to EN 10326 Plywood – t ≥ 19mm exterior grade to EN 636 Concrete – 100mm thick C25/30 to EN 206-1		
	Screw	Washer / Linear Fastener	Steel	Plywood	Concrete
44		3/4" polymer batten strip	1.78	1.75	-
45		3" plastic plate	1.50	1.50	-
46		2" metal Seam plate	1.78	1.75	-
47		80mm RhinoBond plate	1.78	1.75	-
48		2" metal barbed seam plate	1.78	1.75	-
49		RhinoBond TreadSafe plate with plastic insert	1.78	1.75	-
50	Super XHD	3" ribbed galvalume	1.53	3.44	-
51		AccuTrac plate	1.53	3.24	-
52		XHD barbed plate	1.53	3.44	-
53		2 <sup>3</sup> / <sub>8</sub> " Eyehook seam plate	1.53	3.44	-
54		Maxload seam plate	1.53	3.44	-
55		3/4" polymer batten strip	1.53	2.34	-
56	Maxload	3" ribbed galvalume	1.77	2.13	-
57		AccuTrac plate	1.77	2.13	-
58		XHD barbed plate	1.77	2.13	-
59		2 <sup>3</sup> / <sub>8</sub> " Eyehook seam plate	1.77	2.13	-
60		2 <sup>3</sup> / <sub>4</sub> " Eyehook seam plate	1.77	2.13	-
61		Maxload seam plate	1.77	2.13	-
62		3/4" polymer batten strip	1.77	2.13	-
63	CD-10	3" ribbed galvalume	-	-	2.60
64		AccuTrac plate	-	-	2.24
65		XHD barbed plate	-	-	2.67
66		2 <sup>3</sup> / <sub>8</sub> " Eyehook seam plate	-	-	2.67
67		Maxload seam plate	-	-	2.67
68		3/4" polymer batten strip	-	-	1.73
69		3" plastic plate	-	-	1.56
70	Universal #14	3" ribbed galvalume	1.19	-	1.17
71		AccuTrac plate	1.19	-	1.17
72		XHD barbed plate	1.19	-	1.17
73		2 <sup>3</sup> / <sub>8</sub> " Eyehook seam plate	1.19	-	1.17
74		2 <sup>3</sup> / <sub>4</sub> " Eyehook seam plate	1.19	-	1.17
75		Maxload seam plate	1.19	-	1.17
76		3/4" polymer batten strip	1.19	-	1.17
77		2" metal Seam plate	1.19	-	1.17
78		80mm RhinoBond plate	1.19	3.09	1.17
79		2" metal barbed seam plate	1.19	-	1.17
80		RhinoBond TreadSafe plate with plastic insert	1.19	3.09	1.17
	OMG Roof Fastener Combination		Substrate Steel – 1.2mm thick S280GD to EN 10326		
81	RetroDriller	XHD barbed plate	1.86	-	-
82		2 <sup>3</sup> / <sub>8</sub> " Eyehook seam plate	1.86	-	-
83		Maxload seam plate	1.86	-	-
84		2" metal Seam plate	1.86	-	-
85		80mm RhinoBond plate	1.86	-	-
86		2" metal barbed seam plate	1.86	-	-



<b>Characteristic Values of Axial Load Resistance (kN)</b>					
Annex	OMG Roof Fastener Combination		Substrate Steel – 0.7mm thick S280GD to EN 10326 Plywood – t ≥ 19mm exterior grade to EN 636 Concrete – 100mm thick C25/30 to EN 206-1		
	Screw	Washer / Linear Fastener	Steel	Plywood	Concrete
87		<sup>3</sup> / <sub>4</sub> " polymer batten strip	1.86	-	-
88		RhinoBond TreadSafe plate with plastic insert	1.86	-	-
<b>Characteristic Values of Axial Load Resistance</b>			<b>Annex 89</b>  Of the European Technical Assessment <b>ETA 09/0337</b>		
<b>OMG Flat Roof Fasteners</b>					

Mean Values of Axial Load Resistance (kN)					
Annex	OMG Roof Fastener Combination		Substrate Steel – 0.7mm thick S280GD to EN 10326 Plywood – t ≥ 19mm exterior grade to EN 636 Concrete – 100mm thick C25/30 to EN 206-1		
	Screw	Washer / Linear Fastener	Steel	Plywood	Concrete
1	#12 Standard Roofgrip	3" ribbed galvalume	0.88	2.85	-
2		AccuTrac plate	0.88	2.85	-
3		3" plastic plate	0.88	1.78	-
4		2" metal Seam plate	0.88	2.85	-
5		80mm RhinoBond plate	0.88	2.85	-
6		2" metal barbed seam plate	0.88	2.85	-
7		RhinoBond TreadSafe plate with plastic insert	0.88	2.85	-
8	#12 Standard Roofgrip Drill point	3" ribbed galvalume	1.19	1.96	-
9		AccuTrac plate	1.19	1.96	-
10		3" plastic plate	1.19	1.78	-
11		XHD barbed plate	1.19	1.96	-
12		2 <sup>3</sup> / <sub>8</sub> " Eyehook seam plate	1.19	1.96	-
13		3/4" polymer batten strip	1.19	1.96	-
14		2" metal Seam plate	1.19	1.96	-
15		80mm RhinoBond plate	1.19	1.96	-
16		2" metal barbed seam plate	1.19	1.96	-
17	RhinoBond TreadSafe plate with plastic insert	1.19	1.96	-	
18	#14 Heavy Duty	3" ribbed galvalume	0.79	2.78	3.26
19		AccuTrac plate	0.79	2.78	2.93
20		2 <sup>3</sup> / <sub>8</sub> " Eyehook seam plate	0.79	2.78	4.75
21		Maxload seam plate	0.79	2.78	4.75
22		3/4" polymer batten strip	0.79	2.78	2.78
23		3" plastic plate	0.79	2.78	1.88
24		2" metal Seam plate	0.79	2.78	4.75
25		80mm RhinoBond plate	0.79	2.78	3.69
26		2" metal barbed seam plate	0.79	2.78	4.75
27		RhinoBond TreadSafe plate with plastic insert	0.79	2.78	4.36
28	#15 Roofgrip	3" ribbed galvalume	1.88	2.04	2.94
29		AccuTrac plate	1.88	2.04	2.93
30		2 <sup>3</sup> / <sub>8</sub> " Eyehook seam plate	1.88	2.04	2.93
31		2 <sup>3</sup> / <sub>4</sub> " Eyehook seam plate	1.88	2.04	2.93
32		Maxload seam plate	1.88	2.04	2.93
33		3/4" polymer batten strip	1.88	2.04	2.78
34		3" plastic plate	1.72	2.04	1.72
35		2" metal Seam plate	1.88	2.04	2.94
36		80mm RhinoBond plate	1.88	2.04	2.94
37		2" metal barbed seam plate	1.88	2.04	2.94
38		RhinoBond TreadSafe plate with plastic insert	1.88	2.04	2.94
39	XHD	3" ribbed galvalume	1.88	2.04	-
40		AccuTrac plate	1.88	2.04	-
41		XHD barbed plate	1.88	2.04	-
42		2 <sup>3</sup> / <sub>8</sub> " Eyehook seam plate	1.88	2.04	-
43		Maxload seam plate	1.88	2.04	-

Mean Values of Axial Load Resistance (kN)					
Annex	OMG Roof Fastener Combination		Substrate Steel – 0.7mm thick S280GD to EN 10326 Plywood – t ≥ 19mm exterior grade to EN 636 Concrete – 100mm thick C25/30 to EN 206-1		
	Screw	Washer / Linear Fastener	Steel	Plywood	Concrete
44		3/4" polymer batten strip	1.88	2.04	-
45		3" plastic plate	1.72	1.72	-
46		2" metal Seam plate	1.88	2.04	-
47		80mm RhinoBond plate	1.88	2.04	-
48		2" metal barbed seam plate	1.88	2.04	-
49		RhinoBond TreadSafe plate with plastic insert	1.88	2.04	-
50	Super XHD	3" ribbed galvalume	1.80	4.06	-
51		AccuTrac plate	1.80	3.43	-
52		XHD barbed plate	1.80	4.06	-
53		2 <sup>3</sup> / <sub>8</sub> " Eyehook seam plate	1.80	4.06	-
54		Maxload seam plate	1.80	4.06	-
55		3/4" polymer batten strip	1.80	2.79	-
56	Maxload	3" ribbed galvalume	2.19	3.92	-
57		AccuTrac plate	2.19	3.43	-
58		XHD barbed plate	2.19	3.92	-
59		2 <sup>3</sup> / <sub>8</sub> " Eyehook seam plate	2.19	3.92	-
60		2 <sup>3</sup> / <sub>4</sub> " Eyehook seam plate	2.19	3.92	-
61		Maxload seam plate	2.19	3.92	-
62		3/4" polymer batten strip	2.19	3.92	-
63	CD-10	3" ribbed galvalume	-	-	2.90
64		AccuTrac plate	-	-	2.35
65		XHD barbed plate	-	-	3.87
66		2 <sup>3</sup> / <sub>8</sub> " Eyehook seam plate	-	-	3.87
67		Maxload seam plate	-	-	3.87
68		3/4" polymer batten strip	-	-	2.17
69		3" plastic plate	-	-	1.74
70	Universal #14	3" ribbed galvalume	1.33	-	1.97
71		AccuTrac plate	1.33	-	1.97
72		XHD barbed plate	1.33	-	1.97
73		2 <sup>3</sup> / <sub>8</sub> " Eyehook seam plate	1.33	-	1.97
74		2 <sup>3</sup> / <sub>4</sub> " Eyehook seam plate	1.33	-	1.97
75		Maxload seam plate	1.33	-	1.97
76		3/4" polymer batten strip	1.33	-	1.97
77		2" metal Seam plate	1.33	-	1.97
78		80mm RhinoBond plate	1.33	3.38	1.97
79		2" metal barbed seam plate	1.33	-	1.97
80		RhinoBond TreadSafe plate with plastic insert	1.33	3.38	1.97
	OMG Roof Fastener Combination		Substrate Steel – 1.2mm thick S280GD to EN 10326		
81	RetroDriller	XHD barbed plate	2.03	-	-
82		2 <sup>3</sup> / <sub>8</sub> " Eyehook seam plate	2.03	-	-
83		Maxload seam plate	2.03	-	-
84		2" metal Seam plate	2.03	-	-
85		80mm RhinoBond plate	2.03	-	-
86		2" metal barbed seam plate	2.03	-	-

<b>Mean Values of Axial Load Resistance (kN)</b>					
Annex	OMG Roof Fastener Combination		Substrate Steel – 0.7mm thick S280GD to EN 10326 Plywood – t ≥ 19mm exterior grade to EN 636 Concrete – 100mm thick C25/30 to EN 206-1		
	Screw	Washer / Linear Fastener	Steel	Plywood	Concrete
87		<sup>3</sup> / <sub>4</sub> " polymer batten strip	2.03	-	-
88		RhinoBond TreadSafe plate with plastic insert	2.03	-	-
<b>Mean Values of Axial Load Resistance</b>			<b>Annex 90</b>  Of the European Technical Assessment <b>ETA 09/0337</b>		
<b>OMG Flat Roof Fasteners</b>					